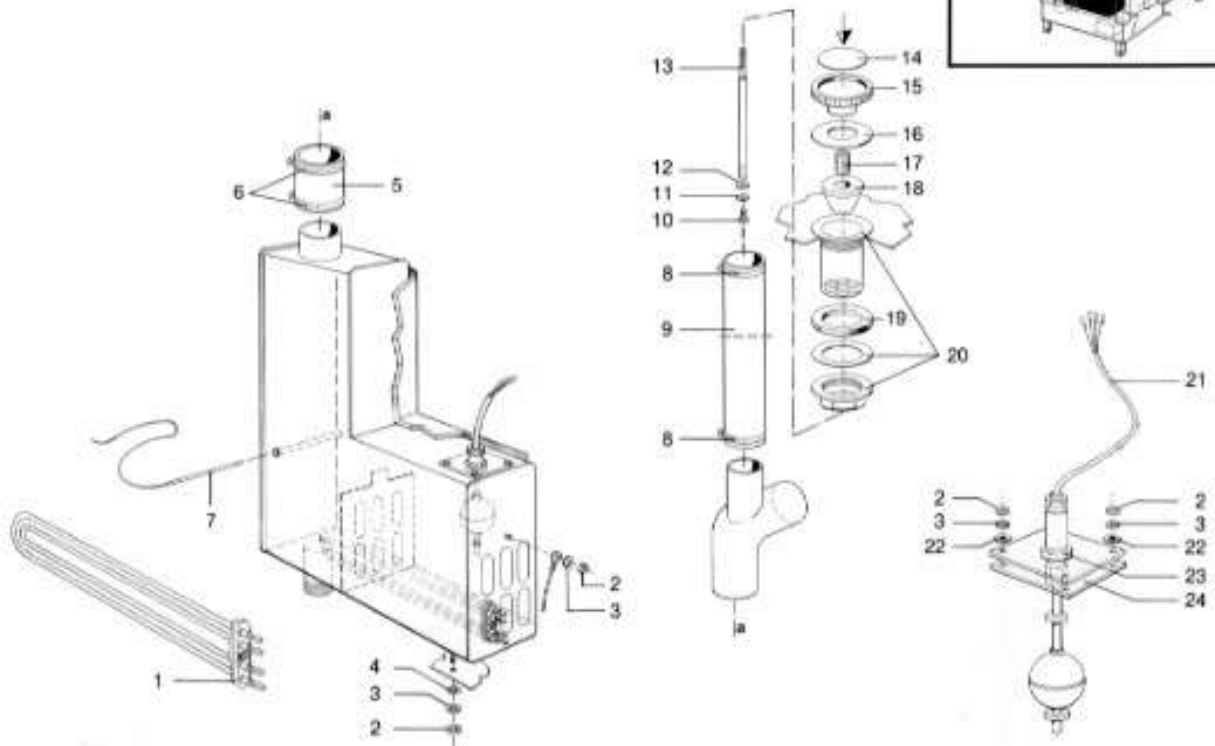
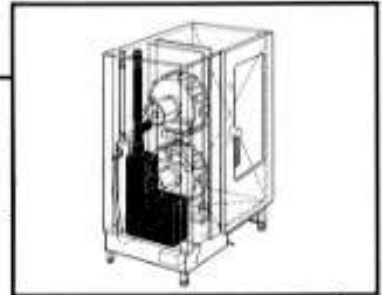


**Steam Generator**

Component Group	Page	Edition	applicable from Serial No.
<b>4</b>	<b>4.1</b>	<b>4.1.1</b>	<b>21M 87 09 1001</b>

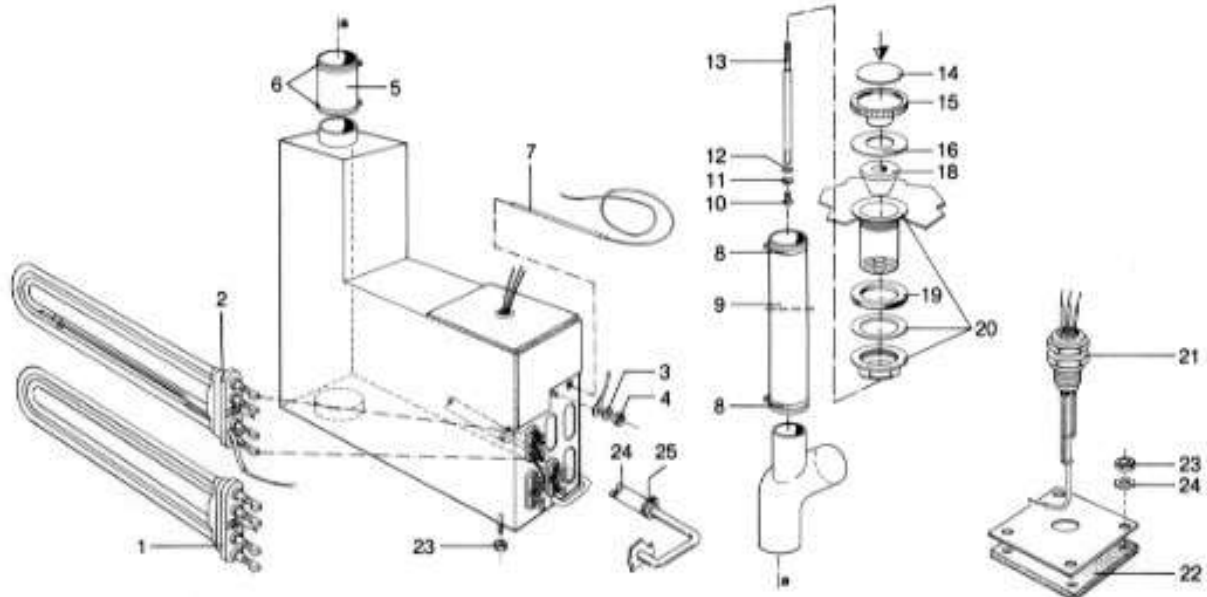


Pos.	Pcs.	Sp. Part No.	Description	Sign
-	1	8300.0005	steam generator complete	
-	1	8450.0200	safety valve complete (pos. 10 - 20)	
1	7	3004.3505	heating element 2x3 KW	
2	6	1106.0160	hex nut M6	
3	6	1206.0120	toothed lock washer A 6,4	
4	1	1306.0221	washer A 6,4	
5	1	2067.0401	steam hose	
6	2	2066.0505	hose clamp 70 - 90 mm	
7	1	3014.0150	sensor steam generator	B3
8	2	2066.0504	hose clamp 40 - 60 mm	
9	1	2067.0205	steam hose 600 mm long	
10	1	1005.0660	slotted pan head screw M 5x12	
11	1	1205.0360	spring washer	
12	1	1305.0260	washer A 5,3	
13	1	2026.0400	guide bar	
14	1	2049.0800	cover plate, aluminium	
15	1	2020.0300	plastic handle for safety valve	
16	1	5012.0526	gasket	
17	1	2026.0300	thread insert	
18	1	2026.0200	cone for safety valve	
19	1	5012.0527	gasket	
20	1	2064.0101	valve body	
21	1	3016.1201	level switch	S4
22	4	1306.0120	washer A 6,4	
23	1	2040.0101	hex nut G 3/8"	
24	1	5012.0528	gasket	



**Steam Generator**

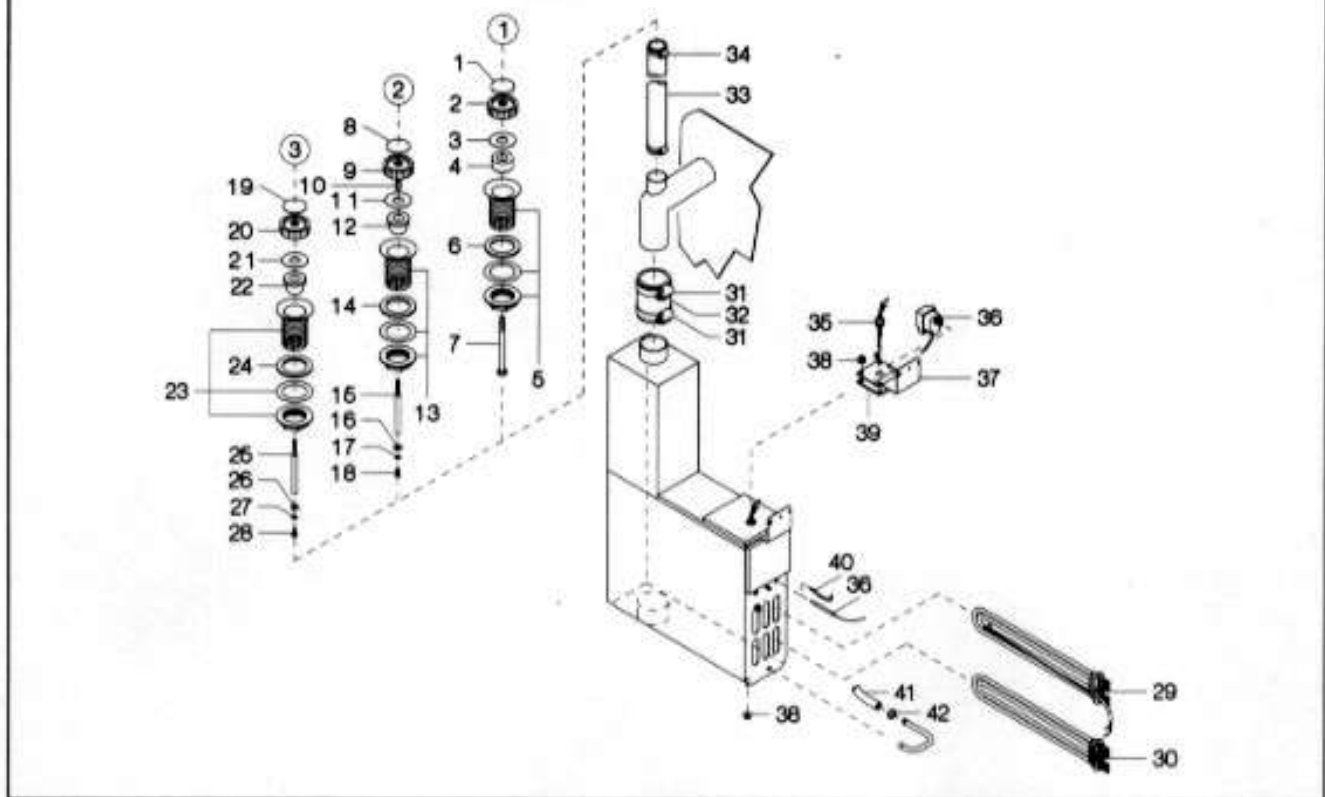
Component Group	Page	Edition	applicable from Serial No.
<b>4</b>	<b>4.1</b>	<b>4.1.2</b>	<b>21M 89 10 4001</b>



Pos.	Pcs.	Sp. Part No.	Description	Sign
-	1	8300.0072	steam generator complete	
-	1	8450.0200	safety valve complete (pos. 10 - 20)	
1	7	3004.3505	heating element 2x3 KW	
2	1	3004.3516	heating element 2x3 KW with thermocouple	
3	5	1106.0160	hex nut M6	
4	5	1206.0120	toothed lock washer A 6,4	
5	1	2067.0401	steam hose	
6	2	2066.0505	hose clamp 70 - 90 mm	
7	1	3014.0150	sensor steam generator	B3
8	2	2066.0504	hose clamp 40 - 60 mm	
9	1	2067.0205	steam hose 580 mm long	
10	1	1005.0660	hex socket head cap screw M 5x12	
11	1	1205.0360	spring washer	
12	1	1305.0260	washer A 5,3	
13	1	2026.0400	guide bar	
14	1	2049.0800	cover plate, aluminium	
15	1	2020.0300	plastic handle for safety valve	
16	1	5012.0526	gasket	
18	1	2026.0200	cone for safety valve	
19	1	5012.0527	gasket	
20	1	2064.0101	valve body	
21	1	3002.0402	filling-level electrode 90 mm	S4
22	1	5012.0537	gasket	
23	1	1106.0801	hex-combi-nut M6	
24	1	2067.0128	pressure hose	
25	1	2066.0202	hose clamp	

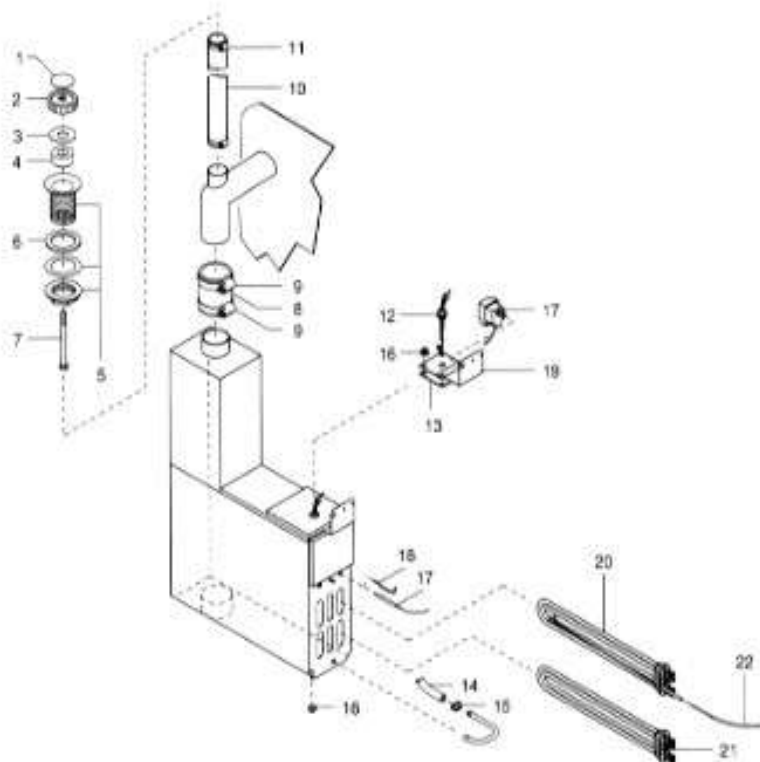
**Steam Generator**

Voltage	Group	Page	Edition	Application from Serial. No.
<b>3 N AC 380V 50Hz</b>	<b>4</b>	<b>4.1</b>	<b>4.1.3</b>	<b>21M91042001</b>

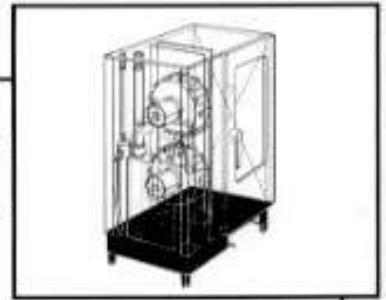


Pos.Pcs.	Sp. Part No.	Description	Sign.	Pos.Pcs.	Sp. Part No.	Description	Sign.	
-	1	8450.0200	safety valve cpl (version 1)	-	1	8300.0088	steam generator cpl.	
<b>version 1</b>				29	1	3004.4304	heating element 2x3kW thermocouple	
1	1	2049.0800	cover plate, aluminium	30	5	3004.4302	heating element 2x3kW	
2	1	2020.0301	plastic handle	31	2	2066.0505	hose clamp 70-90mm	
3	1	5012.0526	gasket	32	1	2067.0401	steam hose 95mm long	
4	1	2026.0201	cone	33	1	2067.0205	steam hose 580mm long	
5	1	5012.0527	gasket	34	2	2066.0504	hose clamp 40-60mm	
6	1	2064.0100	valve body	35	1	3002.0402	filling-level electrode 90mm	S4
7	1	1008.0764	hex screw M8x110	36	1	3014.0300	protector against running dry	F5
<b>version 2</b>				37	1	2520.311089	holding angle	
8	1	2049.0800	cover plate, aluminium	38	5	1106.0801	hex-combi-nut M6	
9	1	2020.0301	plastic handle	39	1	5012.0537	gasket	
10	1	2026.0301	plastic insert	40	1	2544.101230	clamping plate	
11	1	5012.0526	gasket	41	1	2067.0110	pressure hose 360mm long	
12	1	2026.0201	cone	42	1	2062.0205	hose clamp 12-18mm	
13	1	5012.0527	gasket					
14	1	2064.0100	valve body					
15	1	2026.0400	guide bar					
16	1	1305.0260	washer A5,3					
17	1	1205.0360	spring washer A5,3					
18	1	1005.0660	hex socked head screw M5x12					
<b>version 3</b>								
19	1	2049.0800	cover plate, aluminium					
20	1	2020.0300	plastic handle					
21	1	5012.0526	gasket					
22	1	2026.0201	cone					
23	1	5012.0527	gasket					
24	1	2064.0100	valve body					
25	1	2026.0400	guide bar					
26	1	1305.0260	washer A5,3					
27	1	1205.0360	spring washer A5,3					
28	1	1005.0660	hex socked head screw M5x12					

<b>Dampfgenerator</b>	Spannung	Baugruppe	Ausgabe	gültig ab Seriennummer
<b>Steam generator</b>	Voltage	Group	Edition	Applicable from Serial.No.
	3 N AC 400V 50Hz	4	4.1.4	21M96011001

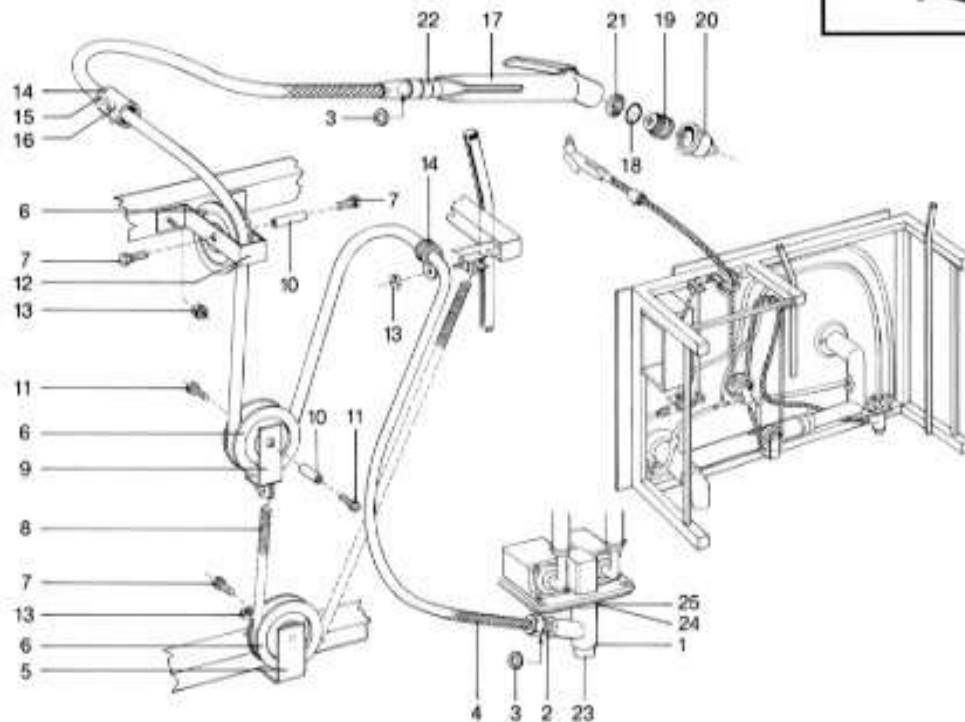


Pos.	St.	Ersatz.Nr.	Bezeichnung	Description
Pos.	Pcs.	Sp. Part No.		
-	1	8300.0088	SC-Dampfgenerator kpl.400V	SC-steam generator cpl. 400V
-	1	8450.0200	Sicherheitsventil komplett Typ 201/20	Safety valve for type 201/20
1	1	2049.0800	Alu-Deckschild für Sicherheitsventil	Cover plate aluminum for safety valve
2	1	2020.0301	Griffscheibe Sicherheitsventil	Plastic-handle for safety-valve
3	1	5012.0526	Dichtung für Sicherheitsventil	Gasket for safety valve
4	1	2026.0201	Verschlußkegel Sicherheitsventil	Cone for safety valve
5	1	2064.0101	Einfüllstutzen Typ 201/20	Safety valve housing type 201/20
6	1	5012.0527	Dichtung für Sicherheitsventilgehäuse	Gasket for safety valve housing
7	1	1008.0764	Sechskantschraube M8x110 f.Griffscheibe	Hex screw M8x110 for safety valve
8	1	2067.0401	Druckschlauch NW60 120mm lang	Steam hose NW60 120mm long
9	2	2066.0505	Schlauchschele 70-90mm	Hose clamp 70-90mm
10	1	2067.0205	Dampfschlauch NW42 580 mm lang	Steam hose 580mm long
11	2	2066.0504	Schlauchschele 40-60mm	Hose clamp 40-60mm
12	1	3002.0402	Füllstandselektrode 90mm Typ 101/201/20	Filling level electrode 90 mm type 101/201/20
13	1	5012.0537	Dichtung für Füllstandselektrode	Gasket for filling-level elektrode
14	1	2067.0110	Druckschlauch NW10 360 mm lang	Pressure hose 360 mm long
15	1	2066.0205	Schlauchschele 12-18 mm	Hose clamp 12-18 mm
16	5	1106.0801	Sechskant-Combi-Mutter M6	Hex combination nut M6
17	1	3014.0300	Trockengehschutz 125°C	Dry up protector 125°C
18	2	2544.101230	Klemmblech Dampfgenerator	Clamping plate thermostat steam generator
19	1	2520.311089	Halterung für Trockengehschutz	Holder for dry up protector
20	1	3004.4157	Tauchheizkörper 2x3kW 400V mit Fühlerrohr	Heating element 2x3kW 400V with sensor pipe
21	5	3004.4302	Tauchheizkörper 2x3kW 400V	Heating element 2x3KW 400V
22	1	3014.0165	Thermoelement Dampfgenerator	Thermo element steam generator



**Bottom (Hand Shower)**

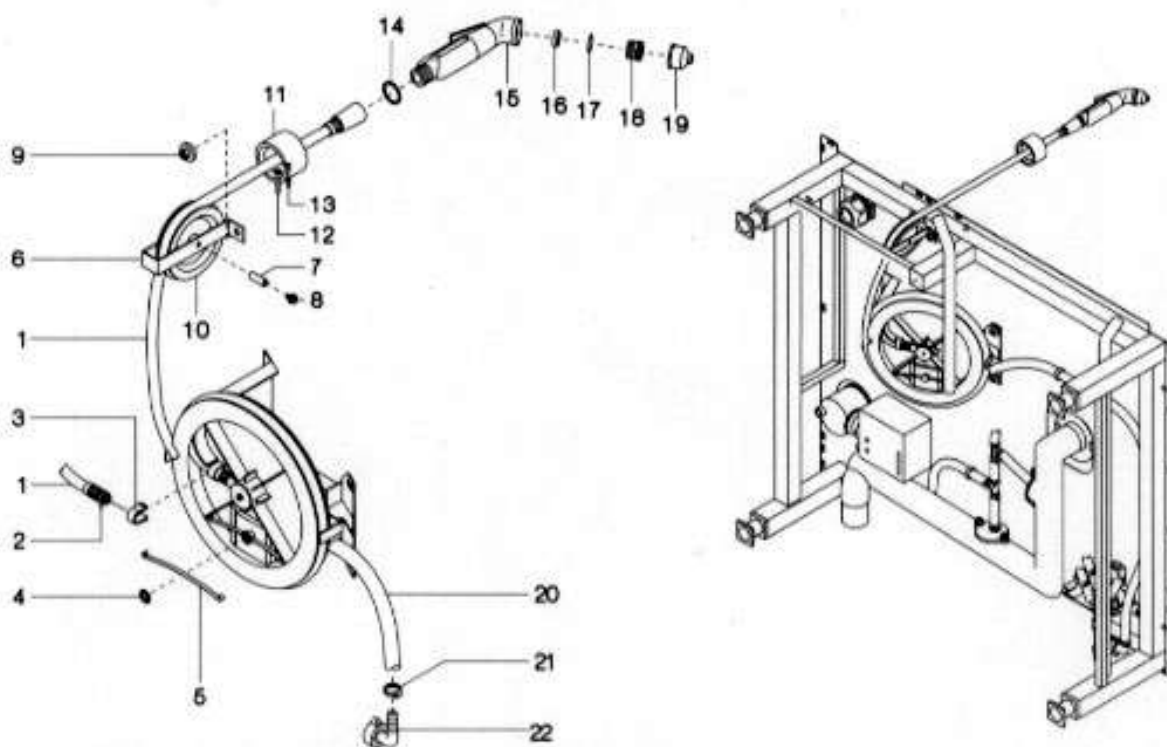
Component Group	Page	Edition	applicable from Serial No.
<b>10</b>	<b>10.3</b>	<b>10.3.1</b>	<b>21M 89 04 1105</b>



Pos.	Pcs.	Sp.	Part No.	Description	Sign	Pos.	Pcs.	Sp.	Part No.	Description	Sign
1	1		2036.0501	T-fitting		-	1		8630.0106	holder 3, complete (pos 6, 7, 10)	
2	1		2062.0103	reducing nipple		-	1		8630.0109	T-part complete (pos 2, 23, 24, 25)	
3	2		5012.0536	gasket							
4	1		2067.0601	shower hose with gasket							
5	1		8630.0102	holder 4, complete							
6	3		2060.0112	hose reel							
7	3		1005.2000	ratchet safety screw							
8	1		2002.0402	tension spring 600 mm							
9	1		8630.0103	bow, welded							
10	3		2060.0115	axle							
11	2		1005.0126	countersunk head screw M 5x6							
12	1		2510.640687	holder 3							
13	5		1106.0801	hex combi-nut M6							
14	1		2060.0113	tube 2 for hand shower							
15	1		1004.0664	hex socket							
16	1		1004.0430	head cap screw M 4x16							
17	1		2060.0100	hand shower with guide complete (pos 18, 19, 20, 21)							
18	1		2060.0217	O-ring gasket							
19	1		2060.0216	head screw							
20	1		2060.0215	mouthpiece							
21	1		2060.0218	gasket for hand shower							
22	1		2060.0110	revolving joint							
23	1		1500.1579	reducing nipple							
24	1		2036.0101	tube screw connection							
25	1		5012.0529	gasket							
-	1		8630.0108	bow complete (pos 6, 9, 11)							
-	1		8630.0107	holder 4, complete (pos 5, 6, 7, 10)							

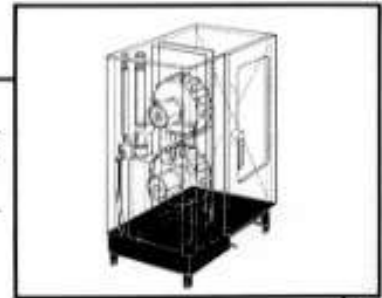
**Bottom (Hand Shower)**

Voltage	Group	Page	Edition	Application from Serial. No.
<b>3 N AC 380V 50Hz</b>	<b>10</b>	<b>10.3</b>	<b>10.3.2</b>	<b>21M93011001</b>



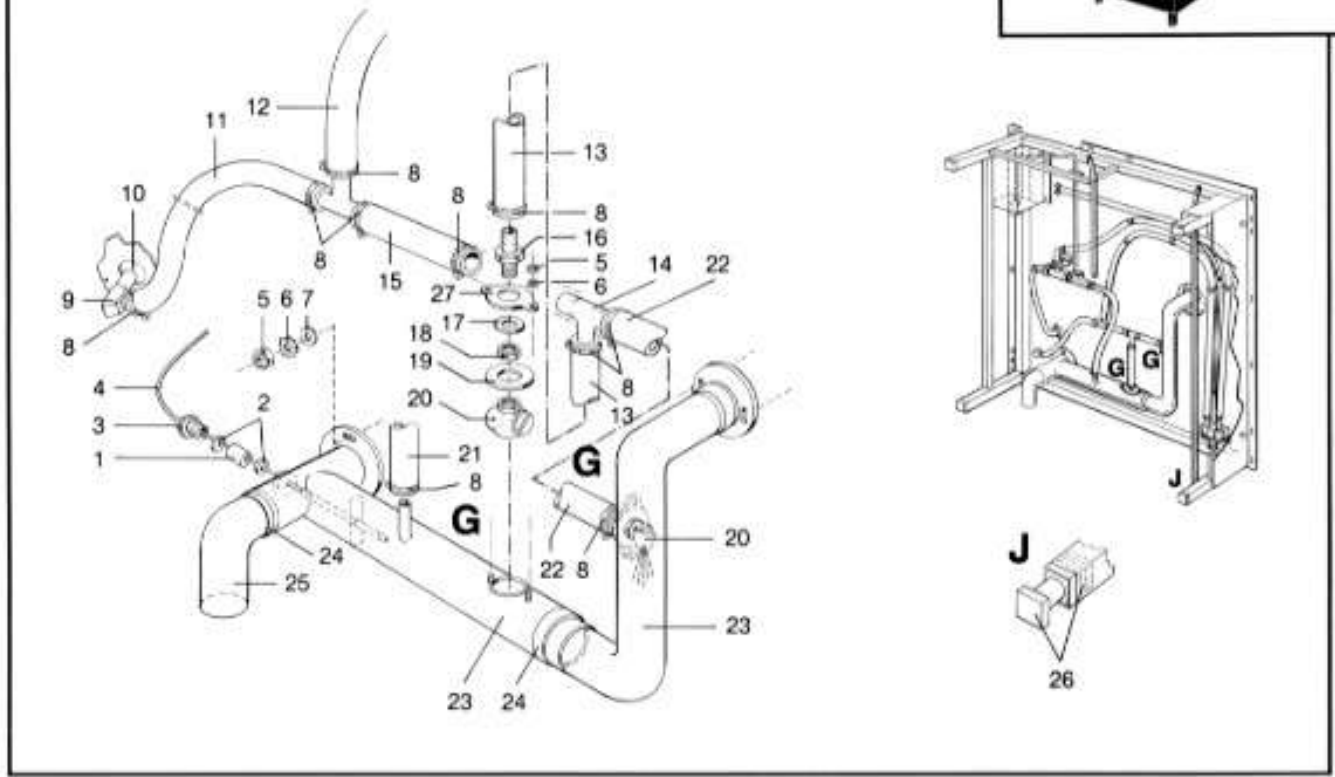
Pos.Pcs.	Sp. Part No.	Description	Sign.
- 1	8410.1013	hand shower roll guide kpl.	
- 1	2060.0228	holder for hose reel cpl. (pos. 6,7,8,10)	
1	2067.0605	shower hose	
2	2	gasket for shower hose	
3	2060.0152	climp for shower hose	
4	2001.0203	Federmutter	
5	2001.0202	fastening spring	
6	2510.640687	holder for hose reel	
7	2016.0878	axle for hose reel	
8	1005.2000	safety screw M5x8	
9	1106.0801	hex-combi-nut M6	
10	2060.0112	hose reel	
11	2060.0121	tulip	
12	1104.0664	hex sochet head cap screw M4x16	
13	1004.0664	hex sochet head screw M4x16	
14	5012.0536	gasket for shower hose	
15	2060.0100	hand shower cpl. (incl. pos. 16,17,18,19)	
16	2060.0218	gasket	
17	2060.0217	O-ring	
18	2060.0216	head screw	
19	2060.0215	mouthpiece	
20	2067.0060	pressure hose 900mm long	
21	2066.0205	hose clamp 12-18mm	
22	2062.0203	threaded pipe angle G3/4"	



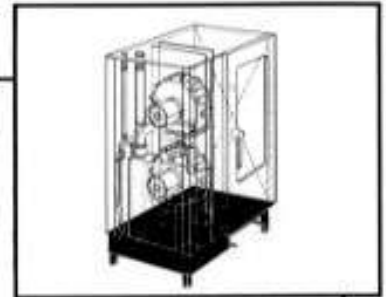


**Bottom (Lower elevation)**

Component Group	Page	Edition	applicable from Serial No.
<b>10</b>	<b>10.1</b>	<b>10.1.1</b>	<b>21M 87 09 1001</b>

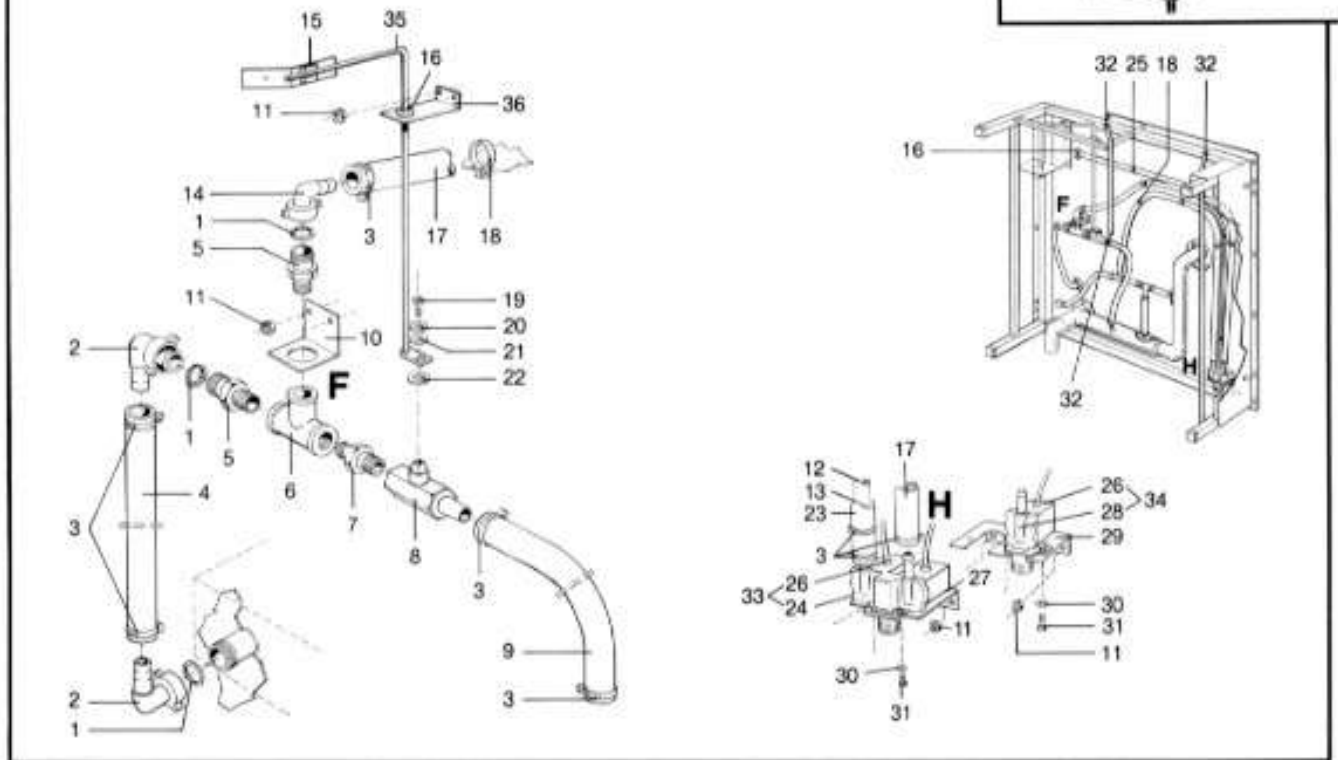


Pos.	Pcs.	Sp.	Part No.	Description	Sign	Pos.	Pcs.	Sp.	Part No.	Description	Sign
-	2		8612.0102	quench nozzle complete (pos. 16,17,27,18,19,20)		25	1		2070.0007	elbow pipe	
1	1		3014.0303	stuffing box packing		26	4		2039.0100	foot adjustable from 21M88011001 : 2039,0111	
2	2		3014.0304	washer		27	2		2070.0021	cover for quench nozzle	
3	1		3014.0305	stuffing box nipple							
4	1		3014.0312	thermostat	P1						
				quenching system							
5	4		1106.0160	hex nut M6							
6	4		1206.0120	toothed lock washer A 6,4							
7	2		1306.0221	washer A 6,4							
8	10		2066.0202	hose clamp 12 - 22 mm							
9	1		2062.0301	plastic elbow fitting							
10	1		2022.0101	grommet							
11	1		2067.0106	pressure hose 380 mm long							
12	1		2067.0113	pressure hose 1120 mm long							
13	1		2067.0114	pressure hose 150 mm long							
14	2		2062.0302	T-fitting							
15	1		2067.0114	pressure hose 150 mm long							
16	2		2062.0102	hose fitting G 3/8"							
17	2		5012.0532	O-ring gasket							
18	2		2580.600594	washer							
19	3		2070.0020	gasket							
20	2		2016.0900	quench nozzle							
21	1		2067.0305	pressure hose 270 mm long							
22	1		2067.0107	pressure hose 105 mm long							
23	1		2070.0015	drain pipe complete							
24	2		2070.0013	sealing element							



**Bottom (Lower elevation)**

Component Group	Page	Edition	applicable from Serial No.
<b>10</b>	<b>10.2</b>	<b>10.2.2</b>	<b>21M 89 04 1105</b>



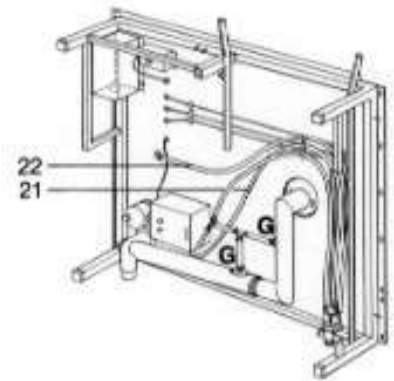
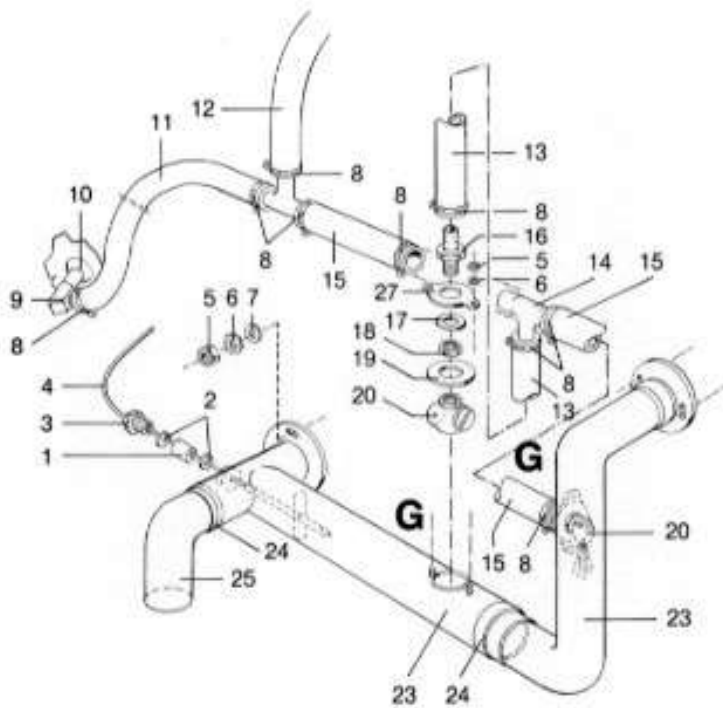
Pos.	Pcs.	Sp. Part No.	Description	Sign	Pos.	Pcs.	Sp. Part No.	Description	Sign
-	1	8611.0101	T-fitting with ball valve (pos. 8, 7, 6, 5, 10)		24	1	3002.0314	body for double solenoid valve	
1	3	5012.0529	sealing ring for elbow fitting		25	4	4006.0201	cable clamp	
2	2	2062.0200	elbow fitting G 3/4"		26	2	3002.0324	coil for solenoid valve	
3	8	2066.0202	hose clamp 12-22 mm		27	1	2580.720384	holder for double solenoid valve	
4	1	2067.0306	pressure hose 115 mm long		28	2	3002.0301	body for 2 single solenoid valves (option)	
5	2	1500.1579	reducing nipple G 1/2" x G 3/4"		29	1	2580.910401	holder for 2 single solenoid valves (option)	
6	1	2036.0501	T-fitting G 1/2"		30	2	1204.0120	toothed lock washer A 4,3	
7	1	2062.0103	double nipple G 1/2"		31	2	1004.0660	hex socket head cap screw M 4x10	
8	1	2062.0100	ball valve		32	3	2039.0204	plastic cap	
9	1	2067.0305	pressure hose 270 mm long		33	1	3002.0304	double solenoid valve complete	
10	1	2580.730385	holder for T-fitting		34	2	3002.0305	2 single solenoid valves complete	
11	6	1106.0801	hex combi nut M6		35	1	8410.0101	lever for ball valve	
12	1	1900.0102	flow regulator (red)		36	1	2580.740386	holding strap for lever for ball valve	
13	1	2016.0867	socket for flow regulator						
14	1	2062.0203	elbow fitting G 3/4"						
15	1	4006.0202	cable clamp						
16	2	2022.0101	grommet						
17	1	2067.0115	pressure hose 1220 mm long						
18	6	4006.0203	cable clamp						
19	1	1006.0300	slotted raised countersunk head screw						
20	1	1205.0120	toothed lock washer A 5,3						
21	1	1305.0260	washer A 5,3						
22	1	1308.0560	washer						
23	1	2067.0113	pressure hose 1120 mm long						





**Bottom (Lower elevation)**

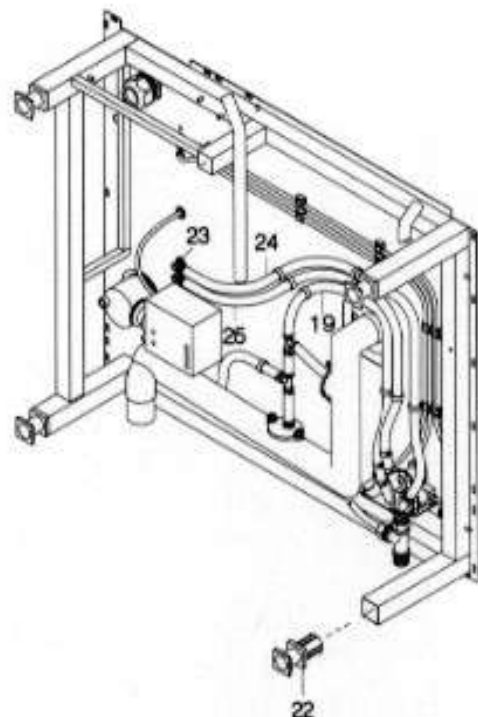
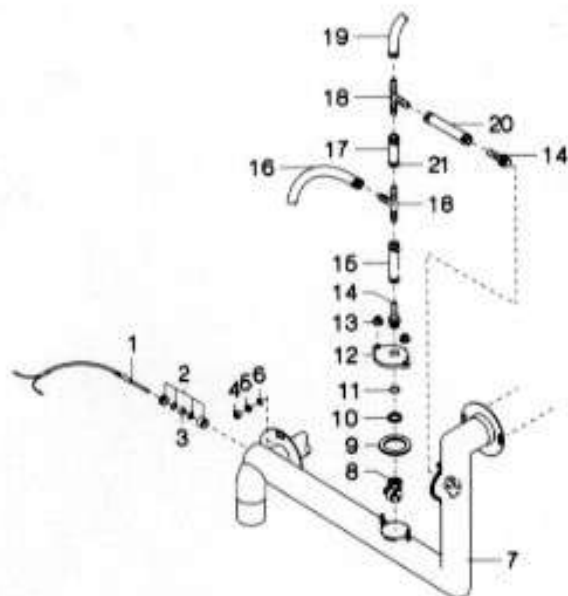
Component Group	Page	Edition	applicable from Serial No.
<b>10</b>	<b>10.1</b>	<b>10.1.2</b>	<b>21M 89 10 4001</b>



Pos.	Pcs.	Sp. Part No.	Description	Sign	Pos.	Pcs.	Sp. Part No.	Description	Sign
-	2	8612.0102	quench nozzle complete (pos. 16,17,27,18,19,20)		25	1	2070.0007	elbow pipe	
1	1	3014.0303	stuffing box packing		26	4	2039.0111	foot adjustable	
2	2	3014.0304	washer		27	2	2070.0021	cover for quench nozzle	
3	1	3014.0305	stuffing box nipple						
4	1	3014.0312	thermostat	P1					
5	4	1106.0160	quenching system						
6	4	1206.0120	hex nut M6						
7	2	1306.0221	toothed lock washer A 6,4						
8	15	2066.0202	washer A 6,4						
9	1	2062.0301	hose clamp 12 - 22 mm						
10	1	2022.0101	plastic elbow fitting						
11	1	2067.0129	grommet						
12	1	2067.0117	pressure hose 380 mm long						
13	1	2067.0114	pressure hose 760 mm long						
14	2	2062.0302	pressure hose 150 mm long						
15	2	2067.0126	T-fitting						
16	2	2062.0102	pressure hose 100 mm long						
17	2	5012.0532	hose fitting G 3/8"						
18	2	2580.600594	O-ring gasket						
19	3	2070.0020	washer						
20	2	2016.0900	gasket						
21	1	2067.0124	quench nozzle						
22	1	2067.0111	pressure hose 1300 mm long						
23	1	2070.0027	pressure hose 1030 mm long						
24	2	2070.0013	drain pipe complete						
			sealing element						

**Bottom (Lower elevation)**

Voltage	Group	Page	Edition	Application from Serial. No.
<b>3 N AC 380V 50Hz</b>	<b>10</b>	<b>10.1</b>	<b>10.1.3</b>	<b>21M91042001</b>

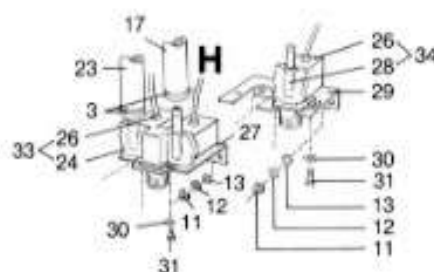
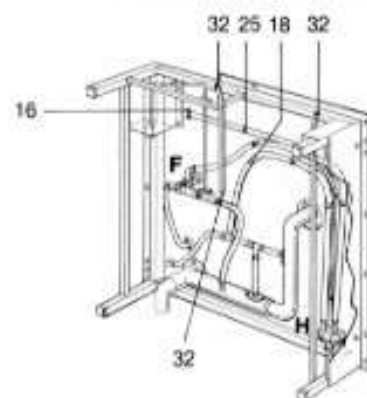
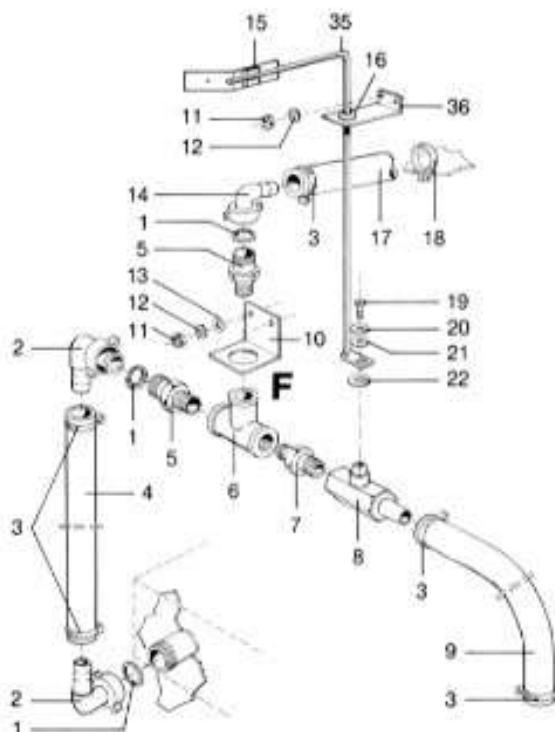


Pos.	Pcs.	Sp. Part No.	Description	Sign.
-	2	8612.0102	quenching nozzle cpl. (pos.8,9,10,11,12,14)	
1	1	3014.0156	sensor quenching system	E2
2	1	4007.0600	cabl connection PG9	
3	1	2022.0100	gasket	
4	2	1106.0160	hex nut M6	
5	2	1206.0120	toothhead lock washer A6,4	
6	2	1306.0221	washer A6,4	
7	1	2070.0039	drain system cpl.	
8	2	2016.0900	quenching nozzle	
9	2	2070.0020	gasket	
10	2	2580.600594	washer	
11	2	5012.0532	gasket	
12	2	2070.0021	cover	
13	4	1106.0801	hex-combi-nut M6	
14	2	2062.0102	hose fitting G3/8"	
15	1	2067.0127	pressure hose 80mm long	
16	1	2067.0152	pressure hose 400mm long	
17	1	2067.0150	pressure hose 60mm long	
18	2	2062.0302	T-fitting	
19	1	2067.0123	pressure hose 700mm long	
20	1	2067.0107	pressure hose 105mm long	
21	16	2066.0205	hose clamp 12-18mm	
22	4	2039.0111	foot adjustable	
23	2	2062.0301	plastic elbow fitting	
24	1	2067.0115	pressure hose 1220mm long for steam generator rinsing	
25	1	2067.0153	pressure hose 950mm long for steam generator filling	

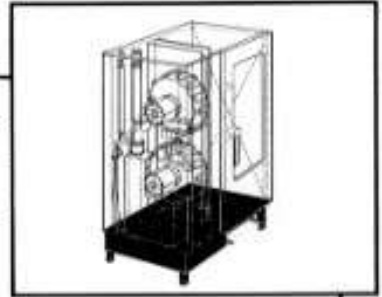


**Bottom (Lower elevation)**

Component Group	Page	Edition	applicable from Serial No.
<b>10</b>	<b>10.2</b>	<b>10.2.1</b>	<b>21M 87 09 1001</b>

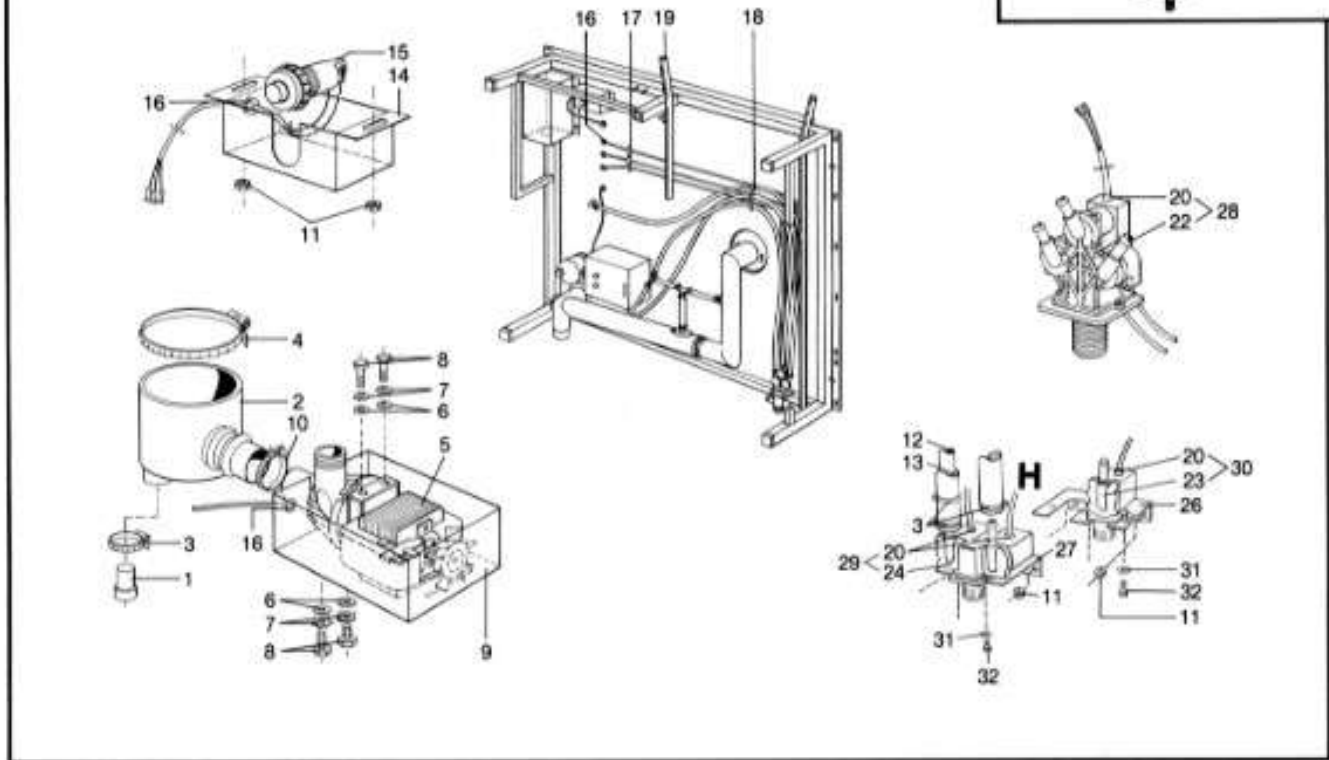


Pos.	Pcs.	Sp.	Part No.	Description	Sign	Pos.	Pcs.	Sp.	Part No.	Description	Sign
-	1		8611.0101	T-fitting ball valve (Pos. 8, 7, 6, 5, 10)		24	1		3002.0314	body for double solenoid valve	
1	3		5012.0529	sealing ring for elbow fitting		25	3		4006.0201	cable clamp	
2	2		2062.0200	elbow fitting G 3/4"		26	2		3002.0324	coil for solenoid valve	
3	7		2066.0202	hose clamp 12-22 mm		27	1		2580.720384	holder for double solenoid valve	
4	1		2067.0306	pressure hose 115 mm long		28	2		3002.0301	body for 2 single solenoid valves (option)	
5	2		1500.1579	reducing nipple G 1/2" x G 3/4"		29	1		2580.910401	holder for 2 single solenoid valves (option)	
6	1		2036.0501	T-fitting G 1/2"		30	2		1204.0120	toothed lock washer A 4,3	
7	1		2062.0103	double nipple G 1/2"		31	2		1004.0660	hex socket	
8	1		2062.0100	ball valve							
9	1		2067.0305	pressure hose 270 mm long							
10	1		2580.730385	holder for T-fitting		32	3		2039.0204	plastic cap	
11	6		1106.0160	hex nut M6		33	1		3002.0304	double solenoid valves	
12	6		1206.0120	toothed lock washer A 6,4		34	2		3002.0305	single solenoid valves	
13	6		1306.0221	washer A 6,4		35	1		8410.0101	lever for ball valve	
14	1		2062.0203	elbow fitting G 3/4"		36	1		2580.740386	holding strap for lever for ball valve	
15	1		4006.0202	cable clamp							
16	2		2022.0101	grommet							
17	1		2067.0115	pressure hose 1220 mm long							
18	6		4006.0203	cable clamp							
19	1		1006.0300	slotted raised countersunk head screw							
20	1		1205.0120	toothed lock washer A 5,3							
21	1		1305.0260	washer A 5,3							
22	1		1308.0560	washer							
23	1		2067.0113	pressure hose 1120 mm long							



**Bottom (Lower elevation)**

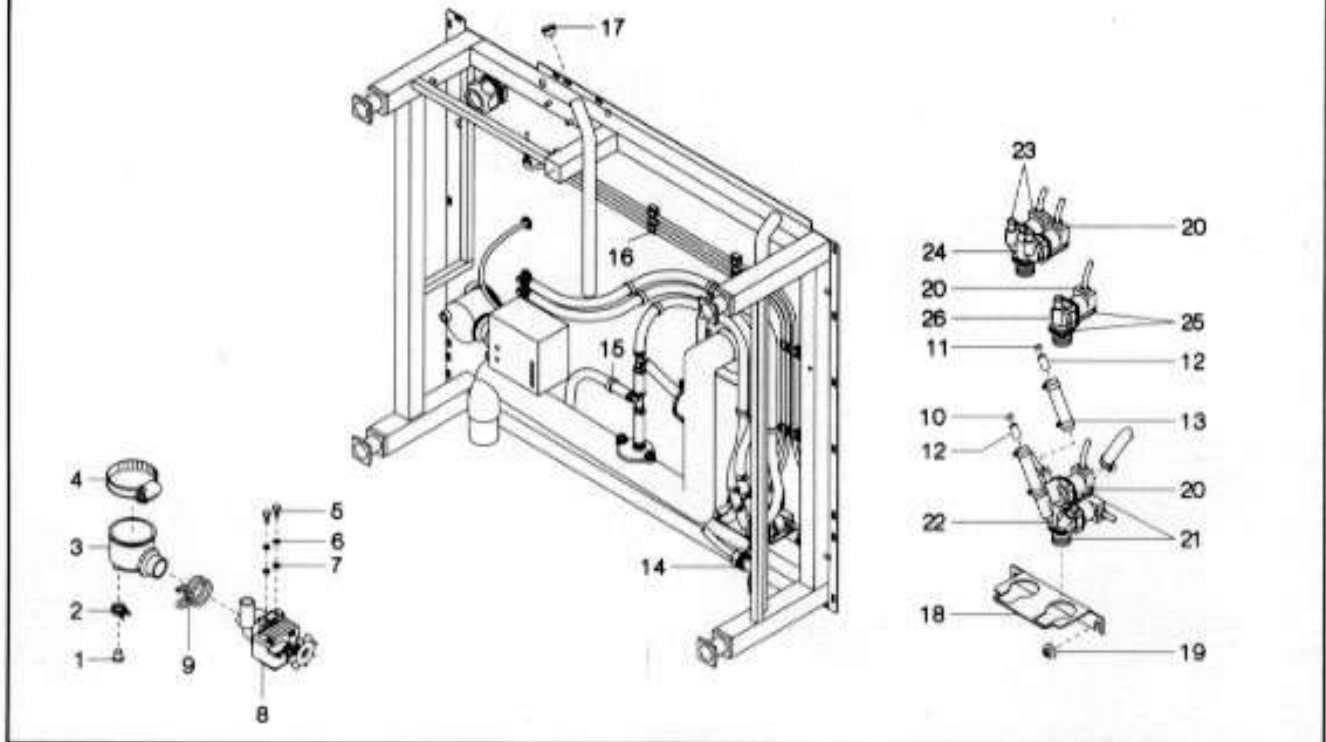
Component Group	Page	Edition	applicable from Serial No.
<b>10</b>	<b>10.2</b>	<b>10.2.3</b>	<b>21M 89 10 4001</b>



Pos.	Pcs.	Sp. Part No.	Description	Sign	Pos.	Pcs.	Sp. Part No.	Description	Sign
1	1	2016.0873	stopper for pump connection		27	1	2580.720384	holder for triple solenoid valve	
2	1	2022.0110	pump connection		28	1	3002.0311	triple solenoid valve complete	
3	4	2066.0202	hose clamp 12-22 mm		29	1	3002.0304	double solenoid valve complete	
4	1	2066.0505	hose clamp 70-90 mm		30	1	3002.0305	single solenoid valves complete	
5	1	3002.1000	discharging pump		31	2	1204.0120	toothed lock washer A 4,3	
6	4	1306.0120	washer A 6,4		32	2	1004.0660	hex socket head screw M 4 x 10	
7	4	1206.0120	toothed lock washer A 6,4						
8	4	1006.1960	socket countersunk head screw M 6 x 16						
9	1	2510.690995	cover for discharging pump						
10	1	2066.0506	hose clamp						
11	4	1106.0801	hex-combi-nut M6						
12	1	1900.0102	flow regulator red						
13	1	2016.0867	socket for flow regulator						
14	1	2581.020843	holder for pushbutton						
15	1	3016.1352	pushbutton						
16	9	2022.0101	grommet						
17	10	4006.0201	cable clamp						
18	8	4006.0203	cable clamp						
19	3	2039.0204	plastic cap						
20	3	3002.0324	coil for solenoid valve						
22	1	3002.0315	body for triple solenoid valve						
23	1	3002.0301	body for single solenoid valve (option)						
24	1	3002.0314	body for double solenoid valve (option)						
26	1	2580.910401	holder for single solenoid valves and 1 double solenoid valve (option)						

**Bottom (Lower elevation)**

Voltage	Group	Page	Edition	Application from Serial. No.
<b>3 N AC 380V 50Hz</b>	<b>10</b>	<b>10.2</b>	<b>10.2.4</b>	<b>21M91042001</b>

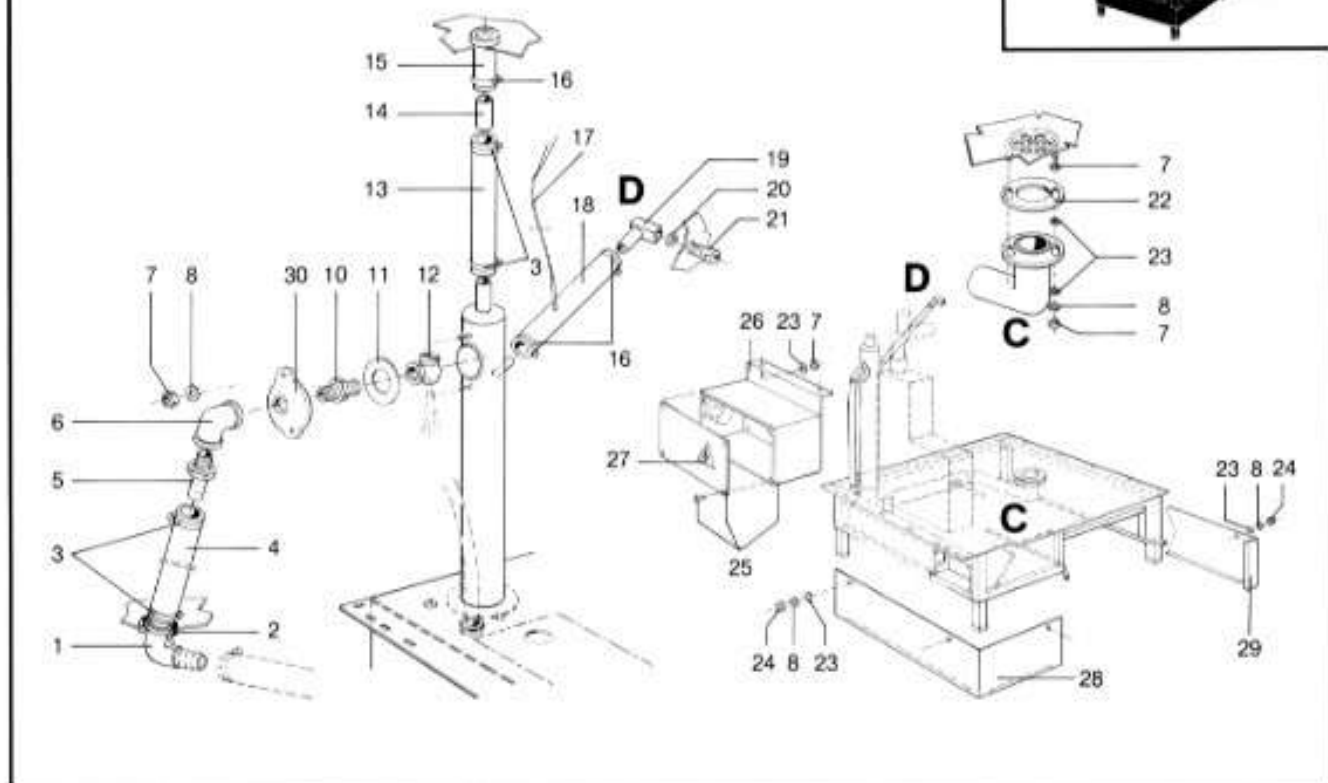


Pos.	Pcs.	Sp.	Part No.	Description	Sign.
1	1		2016.0873	end cap for pump connection	
2	1		2066.0517	hose clamp 18,2mm	
3	1		2022.0110	pump connection	
4	1		2066.0516	hose clamp 60-80mm	
5	2		1006.1960	hex screw M6x16	
6	2		1206.0120	toothhead lock washer A6,4	
7	2		1306.0120	washer A6,4	
8	1		3002.1000	discharging pump	
9	1		2066.0519	hose clamp 35,6mm	
10	1		1900.0102	flow regulator red for quenching	
11	1		1900.0103	flow regulator orange for steam generator filling	
12	2		2016.0867	socket for flow regulator	
13	5		2066.0205	hose clamp 12-18mm	
14	1		8621.0100	set water connection	
15	10		4006.0203	fixing climp for solenoid cable	
16	8		4006.0201	fixing clip for pressure hose	
17	3		2039.0204	plastic cap	
18	1		2580.721120	bracket holder solenoid valve	
19	2		1106.0801	hex-combi-nut M6	
20	3		3002.0329	coil for solenoid valve	
21	1		3002.0328	triple solenoid valve cpl.	
22	1		3002.0315	body for triple solenoid valve	
23	1		3002.0327	double solenoid valve cpl. (option)	
24	1		3002.0314	body for double solenoid valve (option)	
25	1		3002.0305	single solenoid valve cpl. (option)	
26	1		3002.0301	body for single solenoid valve (option)	



**Bottom (Top elevation)**

Component Group	Page	Edition	applicable from Serial No.
<b>9</b>	<b>9.1</b>	<b>9.1.1</b>	<b>21M 87 09 1001</b>



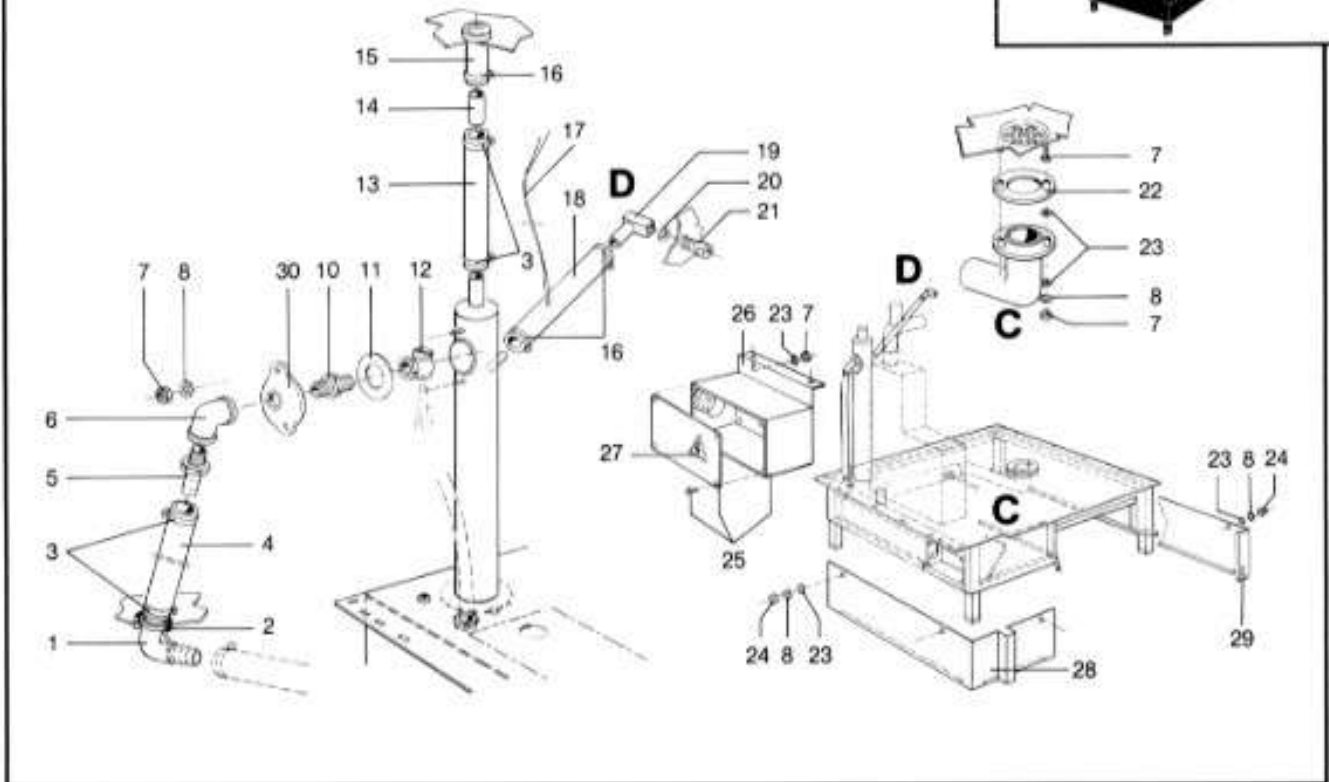
Pos.	Pcs.	Sp. Part No.	Description	Sign	Pos.	Pcs.	Sp. Part No.	Description	Sign
-	1	8612.0104	quench nozzle complete (pos. 12, 11, 10, 30, 9, 6, 5)		29	1	2510.090087	bottom flank cover	
1	1	2062.0301	plastic elbow fitting		30	1	2070.0021	cover for quench nozzle	
2	2	2022.0101	grommet						
3	4	2066.0202	hose clamp 12 - 22 mm						
4	1	2067.0103	pressure hose 650 mm long						
5	1	2062.0102	hose fitting G 3/8"						
6	1	2064.0300	fitting G 3/8" 90 degrees						
7	8	1106.0180	hex nut M6						
8	10	1206.0120	toothed lock washer A 6,4						
10	1	2064.0200	double nipple G 3/8"						
11	1	2070.0020	gasket						
12	1	2016.0910	quench nozzle						
13	1	2067.1607	pressure hose 720 mm long						
14	1	2610.330080	pipe						
15	1	4016.0601	air inlet grommet						
16	5	2066.0506	hose clamp 20 - 32 mm						
17	1	3014.0150	sensor for bypass	B2					
18	1	2067.1611	silicone hose 330 mm long						
19	1	8450.0100	fitting G 1/2" 90 degrees complete						
20	1	1315.0100	copper washer						
21	1	2016.0850	bushing G 1/2"						
22	1	5012.0525	gasket						
23	11	1306.0221	washer A 6,4						
24	5	1106.0380	hex cap nut M6						
25	1	3038.0300	terminal box						
26	1	2510.140089	holder for terminal box						
27	1	4019.0008	warning label						
28	1	2510.080086	bottom flank cover						





**Bottom (Top elevation)**

Component Group	Page	Edition	applicable from Serial No.
<b>9</b>	<b>9.1</b>	<b>9.1.2</b>	<b>21M 89 04 1105</b>

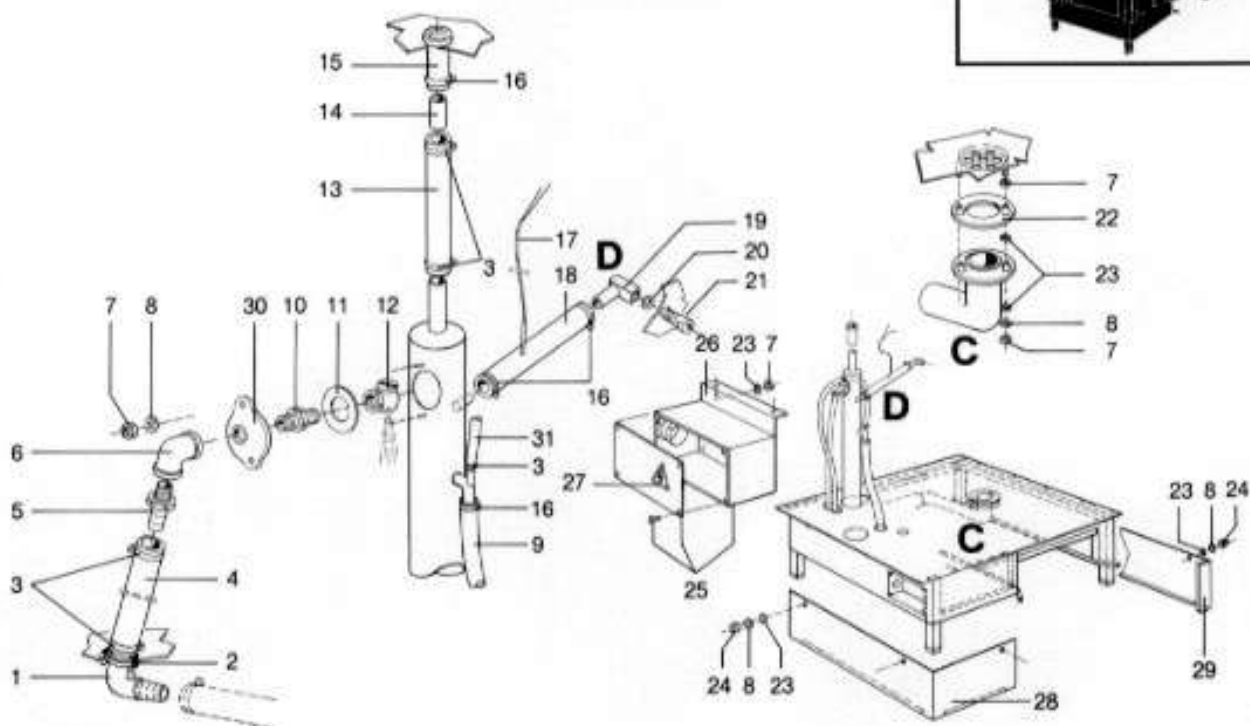


Pos.	Pcs.	Sp.	Part No.	Description	Sign	Pos.	Pcs.	Sp.	Part No.	Description	Sign
-	1		8612.0104	quench nozzle complete (pos. 12, 11, 10, 30, 9, 6, 5)		29	1		2510.090087	bottom flank cover	
1	1		2062.0301	plastic elbow fitting		30	1		2070.0021	cover for quench nozzle	
2	2		2022.0101	grommet							
3	4		2066.0202	hose clamp 12 - 22 mm							
4	1		2067.0103	pressure hose 650 mm long							
5	1		2062.0102	hose fitting G 3/8"							
6	1		2064.0300	elbow fitting G 3/8" 90 degrees							
7	8		1106.0160	hex nut M6							
8	10		1206.0120	toothed lock washer A 6,4							
10	1		2064.0200	double nipple G 3/8"							
11	1		2070.0020	gasket							
12	1		2016.0910	quench nozzle							
13	1		2067.1607	pressure hose 720 mm long							
14	1		2610.330080	pipe							
15	1		4016.0601	air inlet grommet							
16	5		2066.0506	hose clamp 20 - 32 mm							
17	1		3014.0150	sensor for bypass	B2						
18	1		2067.1611	silicone hose 330 mm long							
19	1		8450.0100	elbow fitting G 1/2" 90 degrees							
20	1		1315.0100	copper washer							
21	1		2016.0863	bushing G 1/2"							
22	1		5012.0525	gasket							
23	11		1306.0221	washer A 6,4							
24	5		1106.0360	hex cap nut M6							
25	1		3038.0300	terminal box							
26	1		2510.140089	holder for terminal box							
27	1		4019.0008	warning label							
28	1		2510.080680	bottom flank cover							



**Bottom (Top elevation)**

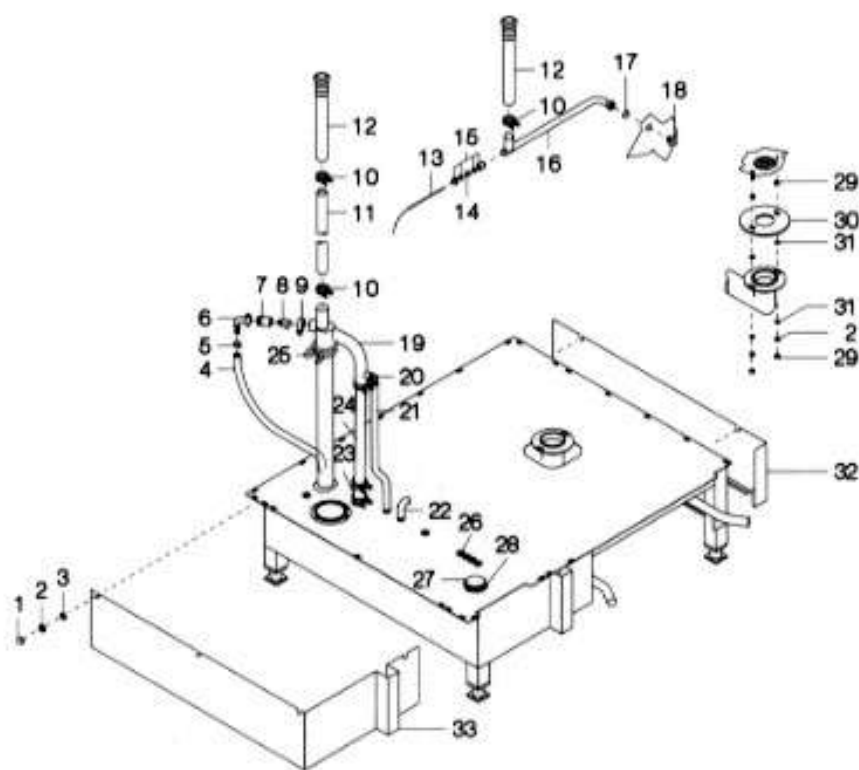
Component Group	Page	Edition	applicable from Serial No.
<b>9</b>	<b>9.1</b>	<b>9.1.3</b>	<b>21M 8910 4001</b>



Pos.	Pcs.	Sp.	Part No.	Description	Sign	Pos.	Pcs.	Sp.	Part No.	Description	Sign
-	1		8612.0104	quench nozzle complete (pos. 12, 11, 10, 30, 9, 6, 5)		26	1		2510.140089	holder for terminal box	
1	3		2062.0301	plastic elbow fitting		27	1		4019.0008	warning label	
2	5		2022.0101	grommet		28	1		2510.080680	bottom flank cover	
3	5		2066.0202	hose clamp 12 - 22 mm		29	1		2510.090087	bottom flank cover	
4	1		2067.0103	pressure hose 650 mm long		30	1		2070.0021	cover for quench nozzle	
5	1		2062.0102	hose fitting G 3/8"		31	1		2067.0105	pressure hose 1015 mm long	
6	1		2064.0300	elbow fitting G 3/8" 90 degrees							
7	8		1106.0160	hex nut M6							
8	10		1206.0120	toothed lock washer A 6,4							
9	1		2067.1615	silicone hose 400 mm long							
10	1		2064.0200	double nipple G 3/8"							
11	1		2070.0020	gasket							
12	1		2016.0910	quench nozzle							
13	1		2067.1607	pressure hose 720 mm long							
14	1		2610.330080	pipe							
15	1		4016.0601	air inlet grommet							
16	7		2066.0506	hose clamp 20 - 32 mm							
17	1		3014.0150	sensor for bypass	B2						
18	1		2067.1611	silicone hose 330 mm long							
19	1		8450.0100	elbow fitting G 1/2" 90 degrees							
20	1		1315.0100	copper washer							
21	1		2016.0863	bushing G 1/2"							
22	1		5012.0525	gasket							
23	11		1306.0221	washer A 6,4							
24	5		1106.0360	hex cap nut M6							
25	1		3038.0300	terminal box							

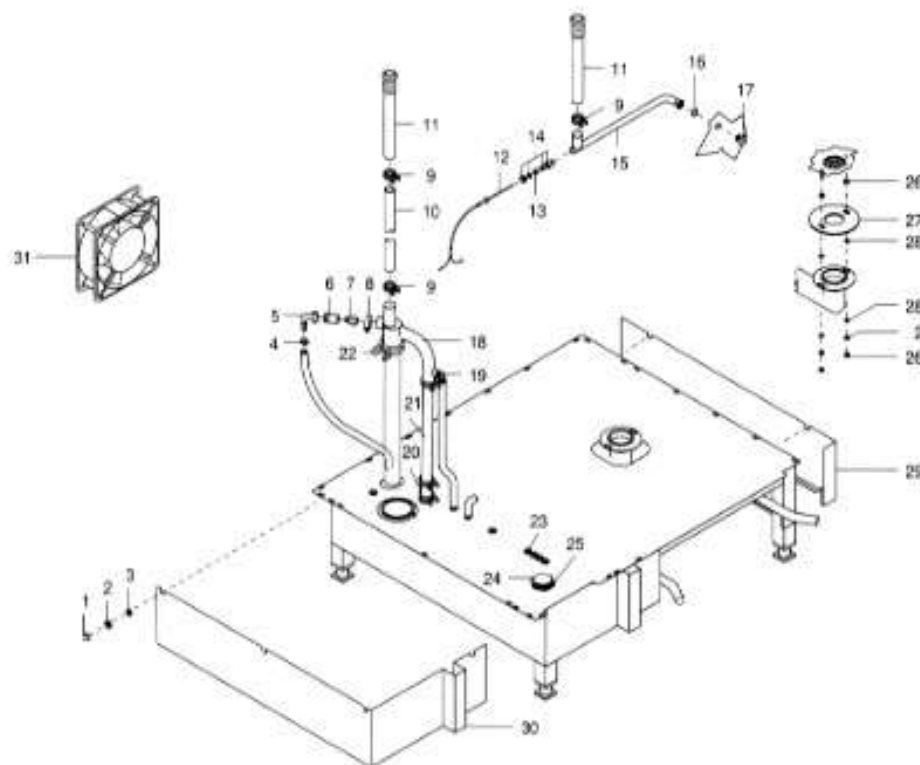
**Bottom (Top elevation)**

Voltage	Group	Page	Edition	Application from Serial. No.
<b>3 N AC 380V 50Hz</b>	<b>9</b>	<b>9.1</b>	<b>9.1.4</b>	<b>21M91042001</b>



Pos.Pcs.	Sp. Part No.	Description	Sign.	Pos.Pcs.	Sp. Part No.	Description	Sign.
-	1	8612.0110	quenching nozzle cpl.	30	1	5012.0555	gasket
1	5	1106.0360	hex cap nut M6	31	5	1306.0221	washer A6,4
2	5	1306.0550	washer A6,4	32	1	2510.080086	bottom plate cover
3	7	1206.0120	toothed lock washer A6,4	33	1	2510.090992	bottom plate cover
4	1	2067.0156	pressure hose 440mm long				
5	7	2066.0205	hose clamp 12-18mm				
6	1	2062.0208	threaded pipe angle G1/2"				
7	1	2016.0883	threaded connection				
8	1	2016.0916	quenching nozzle				
9	1	2066.0506	hose clamp 20-32mm				
10	5	2066.0518	hose clamp 30mm				
11	1	2610.420321	PP-pipe 820mm long				
12	2	4016.0101	vent connection				
13	1	3014.0156	sensor bypass				
14	1	2022.0100	gasket				
15	1	4007.0600	cable connection PG9				
16	1	2071.0101	bypass pipe				
17	1	1315.0104	copper washer				
18	1	2016.0920	bypass nozzle				
19	1	2022.0201	drain elbow				
20	1	2062.0301	plastic elbow fitting				
21	1	2067.0157	pressure hose 340mm long				
22	1	2067.0110	pressure hose 360mm long				
23	1	2022.0202	hose connection piece				
24	1	2644.250288	PP-pipe 300mm long				
25	1	2066.0520	hose clamp 46mm				
26	10	2022.0101	grommet				
27	1	4007.0606	cable connection PG36				
28	1	4007.0607	lock nut for PG36				
29	4	1106.0160	hex nut M6				

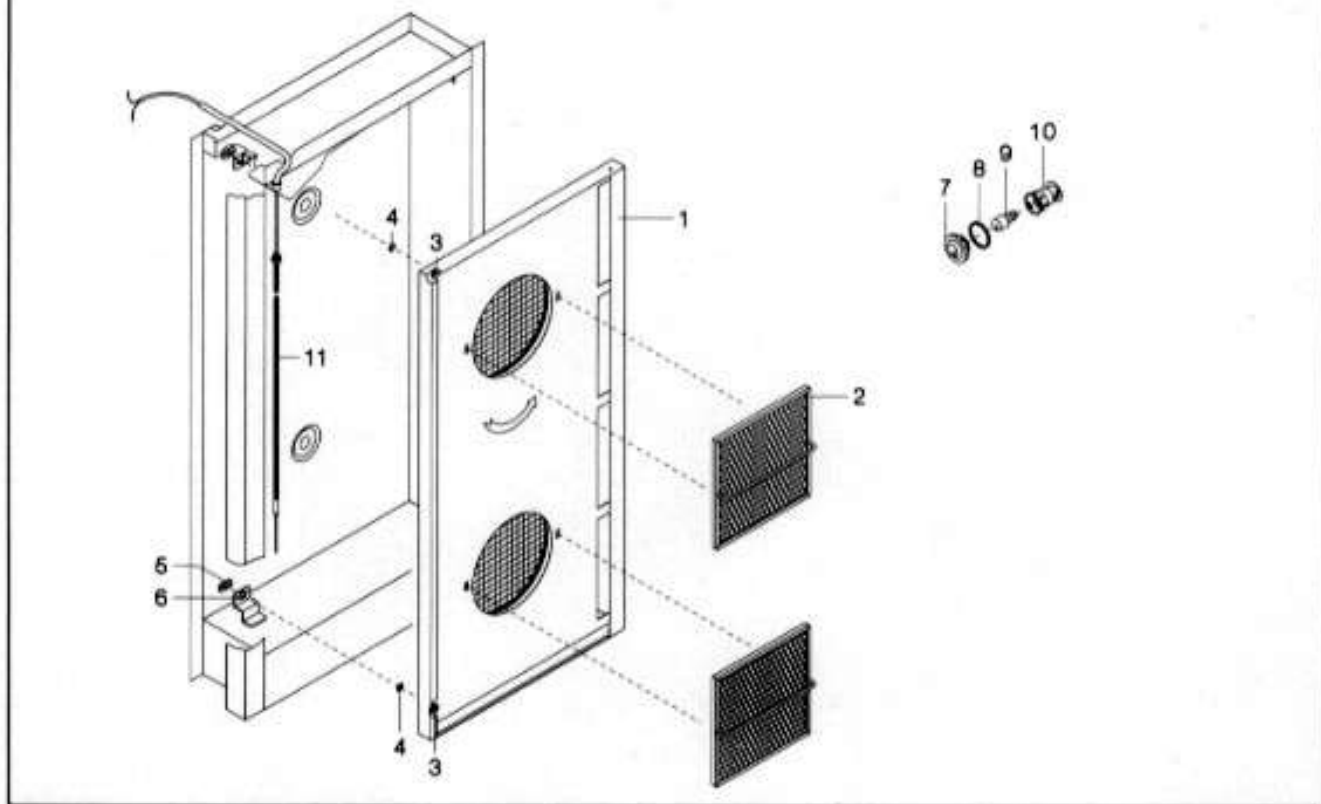
<b>Bodengruppe</b> (Oberseite)	Spannung	Baugruppe	Ausgabe	gültig ab Seriennummer
<b>Bottom</b> (Top elevation)	Voltage	Group	Edition	Applicable from Serial.No.
	3 N AC 400V 50Hz	9	9.1.5	21M96011001



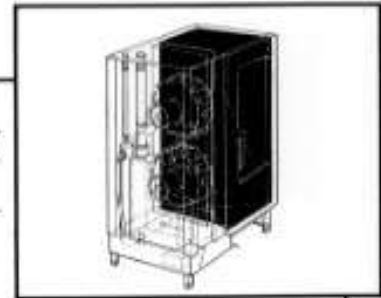
Pos.	St.	Ersatzl.Nr.	Bezeichnung	Description
Pos.	Pcs.	Sp. Part No.		
-	-	2067.0050	Druckschlauch NW10 1 lfm.	Pressure hose NW10 per meter
-	1	8612.0110	Ablöschdüse oben komplett	Quench nozzle top
1	5	1106.0360	Hutmutter M6, hohe Form	Cap nut M6, high shape
2	5	1306.0550	Unterlegscheibe A6,6	Washer A6,6
3	7	1206.0120	Zahnscheibe A6,4	Toothed lock washer A6,4
4	7	2066.0205	Schlauchschelle 12-18 mm	Hose clamp 12-18 mm
5	1	2062.0208	Winkelverschraubung G1/2"x10	Elbow Nipple 1/2"x10mm
6	1	2016.0883	Verschraubung Ablöschdüse ab 04/91	Threaded connection for quenching nozzle
7	1	2016.0916	Ablöschdüse oben ab 04/91	Quenching nozzle top
8	1	2066.0506	Schlauchschelle 20-32mm	Hose clamp 20-32mm
9	6	2066.0518	Schlauchklemme 30mm	Hose clamp 30mm
10	1	2610.420321	PP-Rohr 820mm lang Ablaufbelüftung	PP-pipe 820 mm type 201/20 drain vent
11	2	4016.0101	Entlüftungstülle 250mm ab 04/91	Vent grommet 250mm
12	1	3014.0156	Fühler Ablöschung/Bypass	Sensor bypass/quenching
13	1	2022.0100	Silikondurchführung rot 15x4mm	Silicone gasket red
14	1	4007.0600	Kabelverschraubung PG 9 Metall	Cable connection PG9
15	1	2071.0101	Bypassrohr Typ 201 ab 04/91	Bypass pipe type 201
16	1	1315.0104	Kupferdichtung 16x20x1,5	Copper washer 16x20x1,5
17	1	2016.0920	Bypassdüse ab 04/91	Bypass nozzle
18	1	2022.0201	Abflußkrümmer ab 04/91	Drain elbow
19	1	2062.0301	Winkelschlauchfitting WS 10	Angle fitting plastic WS 10
20	1	2022.0202	Schlauchstutzen 40mm SC-Pumpe	Hose connection piece 40 mm SC-pump
21	1	2644.250288	PP-Rohr 300mm Pumpenanschluß	PP-pipe 300 mm pump connection
22	1	2066.0520	Schlauchklemme d 47 mm	Hose clamp 47 mm
23	10	2022.0101	Durchführungstülle 18 mm	Grommet 18 mm
24	1	4007.0606	Kabelverschraubung PG36 mit Zugentlastung	Cable connection PG36 strain relief
25	1	4007.0607	Polyamid Sechskantmutter für PG36	Lock nut for PG36 polyamid
26	4	1106.0160	Sechskantmutter M6	Hex nut M6
27	1	5012.0555	Dichtung Bodenablauf ab 04/91	gasket for drain from 04/91
28	4	1306.0221	Unterlegscheibe A6,4 DIN9021	Washer A6,4 DIN125
29	1	2510.060086	Verkleidungsblech rechts	Side panel right
30	1	2510.090992	Verkleidungsblech links mit Handbrause	Side panel left with hand shower
31	1	3101.1008	Kühllüfter	Cooling motor

**Interior Cabinet**

Voltage	Group	Page	Edition	Application from Serial. No.
<b>3 N AC 380V 50Hz</b>	<b>7</b>	<b>7.1</b>	<b>7.1.2</b>	<b>21M91042001</b>

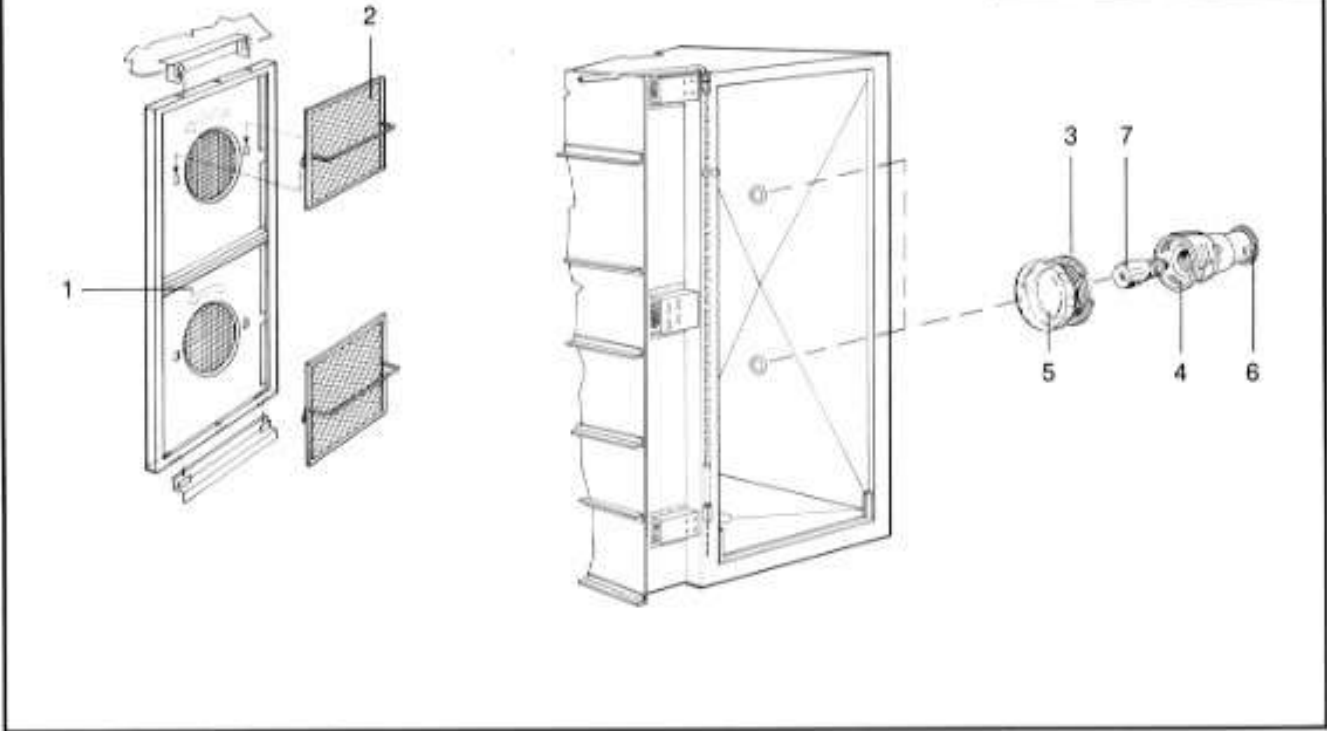


Pos.	Pcs.	Sp. Part No.	Description	Sign.
-	2	3023.0501	interior lamp cpl.	
1	1	8011.1212	air baffle cpl.	
2	2	2010.0710	fat filter	
3	2	2043.0201	locking pin	
4	2	2043.0203	holder plate for quick acting closure	
5	2	2043.0202	locking tappet	
6	4	1604.0162	rivet 4x9mm	
7	2	3025.0002	lamp lens	
8	2	5012.0535	gasket	
9	2	3024.0200	bulb, heat resistant	
10	2	3023.0506	socket for interior lamp	H1,H2
11	1	3035.0608	sensor core temperature	



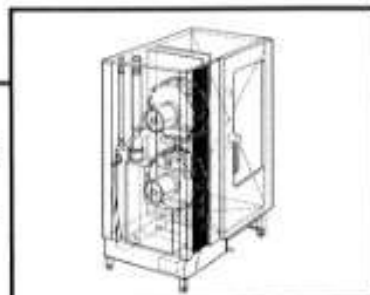
**Interior Cabinet**

Component Group	Page	Edition	applicable from Serial No.
<b>7</b>	<b>7.1</b>	<b>7.1.1</b>	<b>21M 87 09 1001</b>



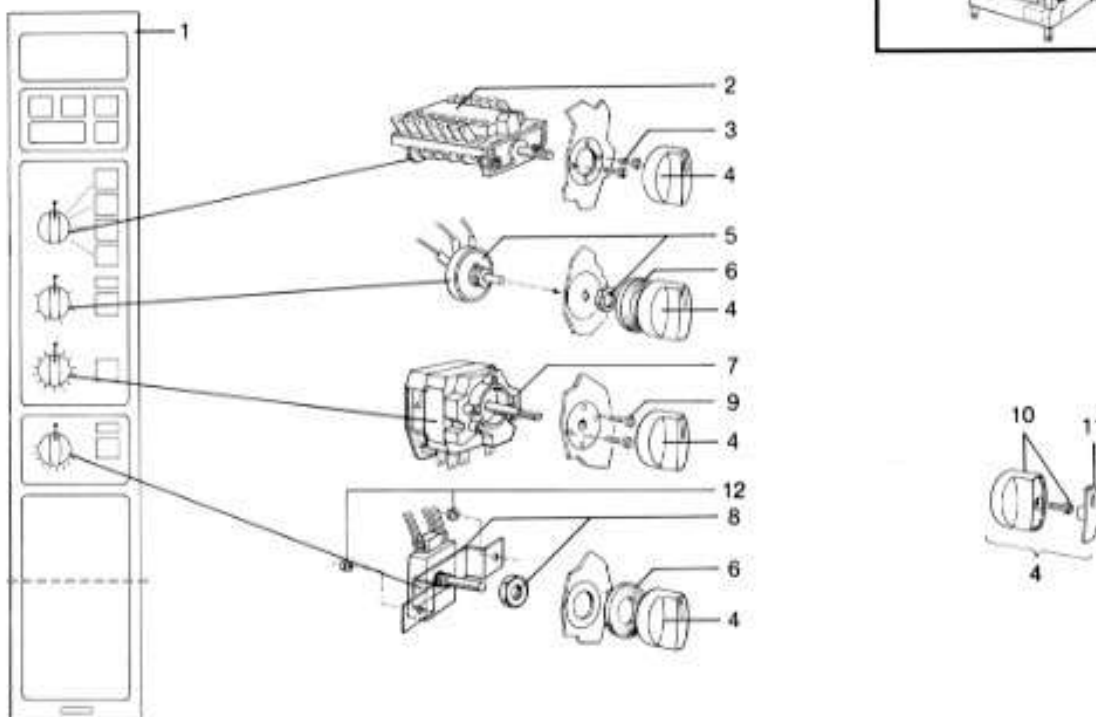
Pos.	Pcs.	Sp.	Part No.	Description	Sign
-	2		3023.0501	interior lamp complete	
1	1		8010.1000	air baffle	
2	2		2010.0710	fat filter	
3	2		5012.0535	gasket lamp lens	
4	2		3023.0502	socket for interior lamp	H1,H2
5	2		3025.0002	lamp lens	
6	2		2580.980589	insulation paper	
7	2		3024.0200	bulb,heat-resistant	



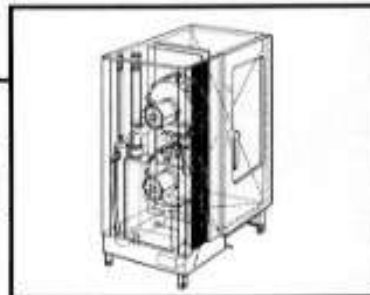


**Control Panel**

Component Group	Page	Edition	applicable from Serial No.
<b>1</b>	<b>1.1</b>	<b>1.1.1</b>	<b>21M 87 09 1001</b>

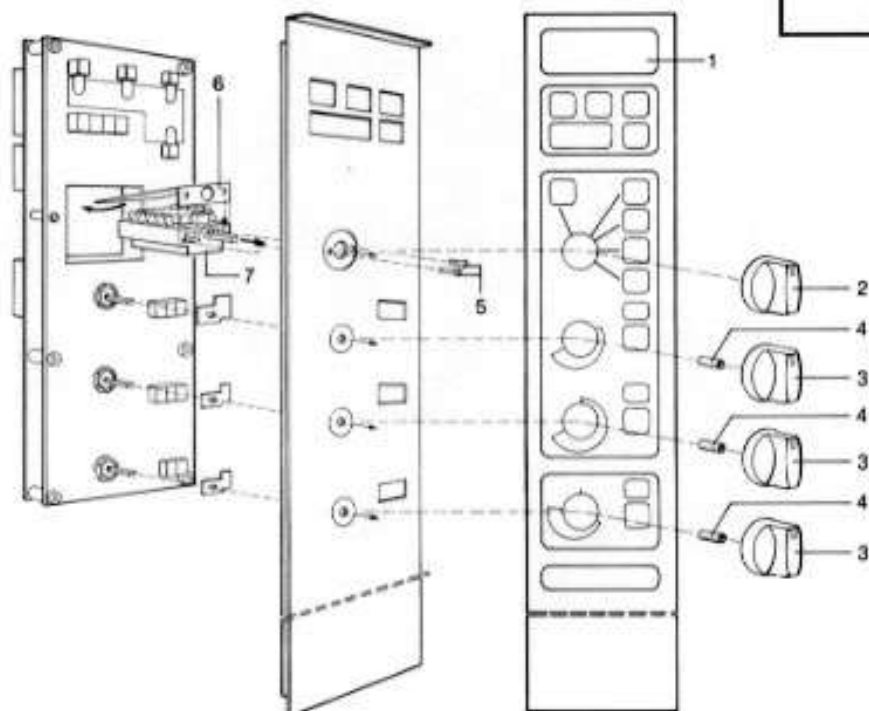


Pos.	Pcs.	Sp.	Part No.	Description	Sign
1	1		2049.0612	control panel	
2	1		3016.1600	mode switch block	S1
3	2		1004.0061	slotted pan head screw M 4x8	
4	4		3013.0329	dial	
5	1		3040.0150	poti hot air	
6	2		5012.0530	gasket	
7	1		3013.0101	timer 120 min	S2
8	1		3040.0151	poti core temp	S4,R2
9	2		1003.0224	cylinder sheet screw	
10	4		3013.0326	dial	
11	4		3013.0328	dial-cover	
12	2		1106.0801	hex combi nut	



**Control Panel**

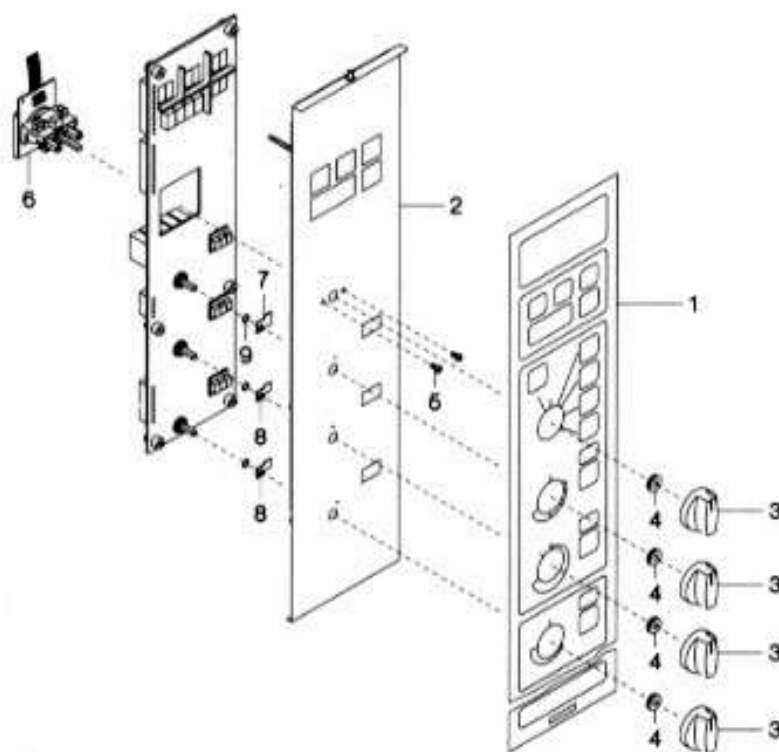
Component Group	Page	Edition	applicable from Serial No.
<b>1</b>	<b>1.1</b>	<b>1.1.2</b>	<b>21M 89 04 1105</b>



Pos.	Pcs.	Sp.	Part No.	Description	Sign
1	1		2049.0714	control panel	
2	1		3013.0330	dial for mode switch block	
3	3		3013.0331	dial for poti	
4	3		2022.0104	grommet	
5	2		1004.0061	slotted pan head screw M 4x8	
6	1		2510.390772	insulation paper	
7	1		3016.1630	mode switch block	

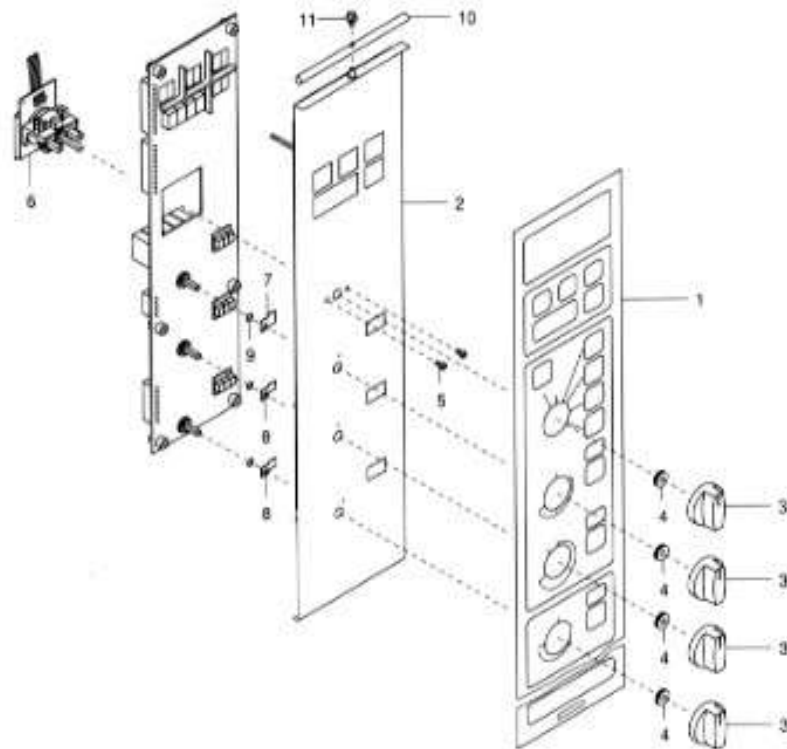
**Control Panel**

Voltage	Group	Page	Edition	Application from Serial. No.
<b>3 N AC 380V 50Hz</b>	<b>1</b>	<b>1.1</b>	<b>1.1.3</b>	<b>21M91042001</b>

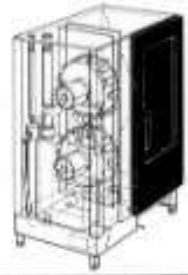


Pos.	Pcs.	Sp.	Part No.	Description	Sign.
1	1		2049.0822	control panel	
2	1		8600.01020489	front panel	
3	4		3013.0330	dial	
4	3		2022.0104	grommet	
5	2		1004.0061	slotted pan head screw M4x8	
6	1		3016.1631	mode switch block	S1
7	1		2510.530746	stop for poti hot air	
8	2		2510.520731	stop for poti core temp./timer	
9	3		1315.0101	copper washer	

<b>Bedienblende</b> <b>Control Panel</b>	Spannung Voltage	Baugruppe Group	Ausgabe Edition	gültig ab Seriennummer Applicable from Serial.No.
	3 N AC 400V 50Hz	1	1.1.4	21M96011001

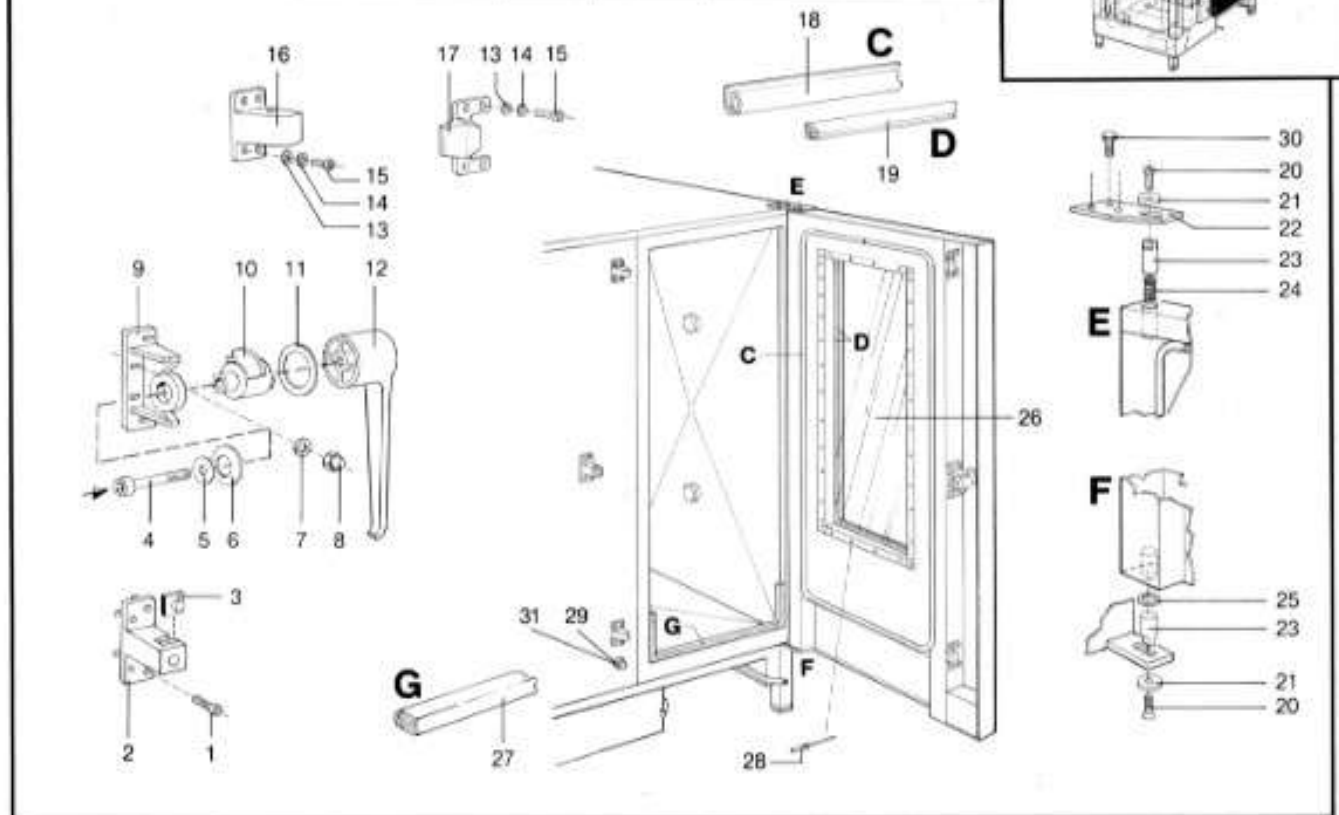


Pos.	St.	Ersatzl.Nr.	Bezeichnung	Description
Pos.	Pcs.	Sp. Part No.		
1	1	2049.0822	Blende	Control panel
2	1	8600.01020489	Frontplatte geschweißt	Front panel welded
3	4	3013.0330	Knebel blau Typ CM ab 04/89	Dial blue type CM
4	4	2022.0104	Durchführungsstülle 16 mm	Grommet 16mm
5	2	1004.0061	Zylinderschraube mit Schlitz M4x8	Slotted pan head srew M4x8
6	1	3016.1631	Betriebsartenschalter CM	Mode switch block CM
7	1	2510.530746	Arretierung für Poti Heißluft	Stop for potentiometer hot air
8	2	2510.520731	Arretierung für Poti KT und Uhr	Stop for potentiometer CT and timer
9	3	1315.0101	Kupferdichtung 6x10	Copper washer 6x10 mm
10	1	5012.0556	Dichtung für Bedienblende	Front panel gasket
11	1	1005.2000	Sperrzahnsschraube M5x8	Interlocking tooth screw M5x8

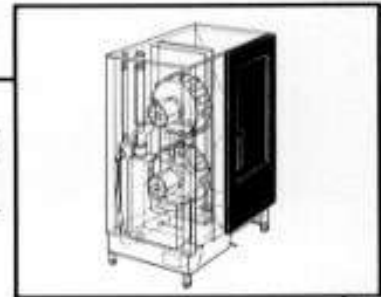


**Door**

Component Group	Page	Edition	applicable from Serial No.
<b>8</b>	<b>8.1</b>	<b>8.1.1</b>	<b>21M 87 09 1001</b>

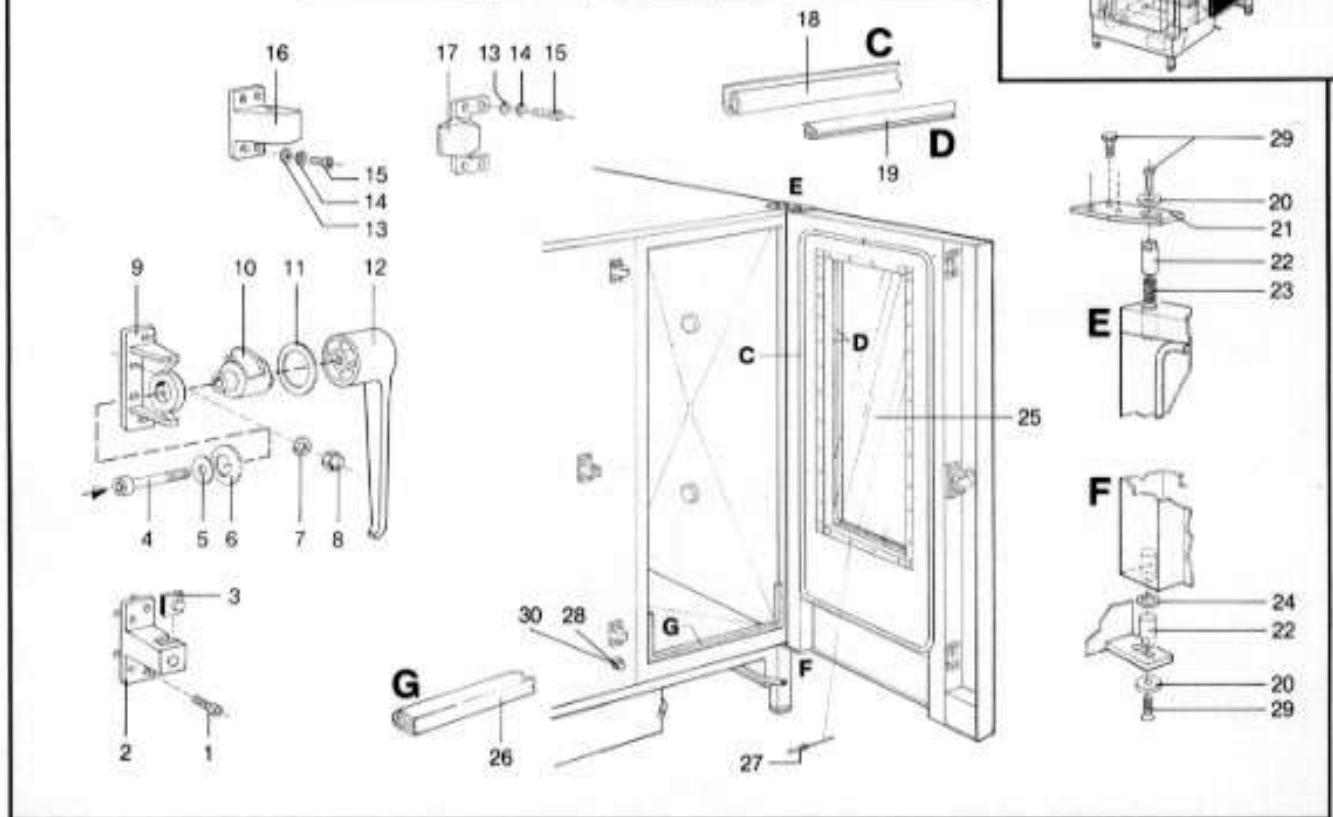


Pos.	Pcs.	Sp.	Part No.	Description	Sign	Pos.	Pcs.	Sp.	Part No.	Description	Sign
-	1		8202.1110	door complete		27	1		5012.0550	set gasket for HGW	
-	1		2016.1400	door lock complete (pos. 12,11,10,9,6,5,4)		28	50		1603.0165	rivet	
1	4		1006.1960	socket countersunk head screw M 6x16		29	1		3016.1400	door switch	S3
2	1		2016.0603	door catch		30	5		1008.0763	socket countersunk head screw M 8x20	
3	1		2016.0605	plastic insert		31	1		4016.0500	grommet	
4	1		2016.1456	hex socket head cap screw M 10x70							
5	1		2016.1454	washer A 10,5							
6	1		2016.1455	disc spring A 40x20							
7	4		1306.0120	washer A 6,4							
8	4		1106.0360	hex nut M6							
9	1		2016.1457	mounting base							
10	1		2016.1452	cam							
11	1		2016.1453	plastic washer							
12	1		2016.1450	door handle							
13	16		1305.0260	washer A 5,3							
14	16		1205.0360	spring washer							
15	16		1005.0661	hex socket head screw M 5x20							
16	2		2016.0604	ball catch female							
17	2		2016.1300	ball catch male							
18	1		5012.0701	set door gasket							
19	1		5012.0203	set window gasket							
20	2		1008.1960	socket countersunk head screw M 8x30							
21	2		2031.0800	rosette							
22	1		2580.960495	holder plate							
23	2		2016.0802	door bolt							
24	1		2001.0104	compression spring							
25	1		2031.0900	washer							
26	1		5015.0803	door window							



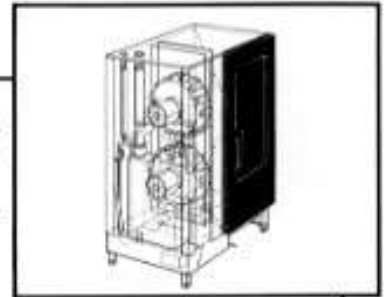
**Door**

Component Group	Page	Edition	applicable from Serial No.
<b>8</b>	<b>8.1</b>	<b>8.1.2</b>	<b>21M 88 09 1291</b>



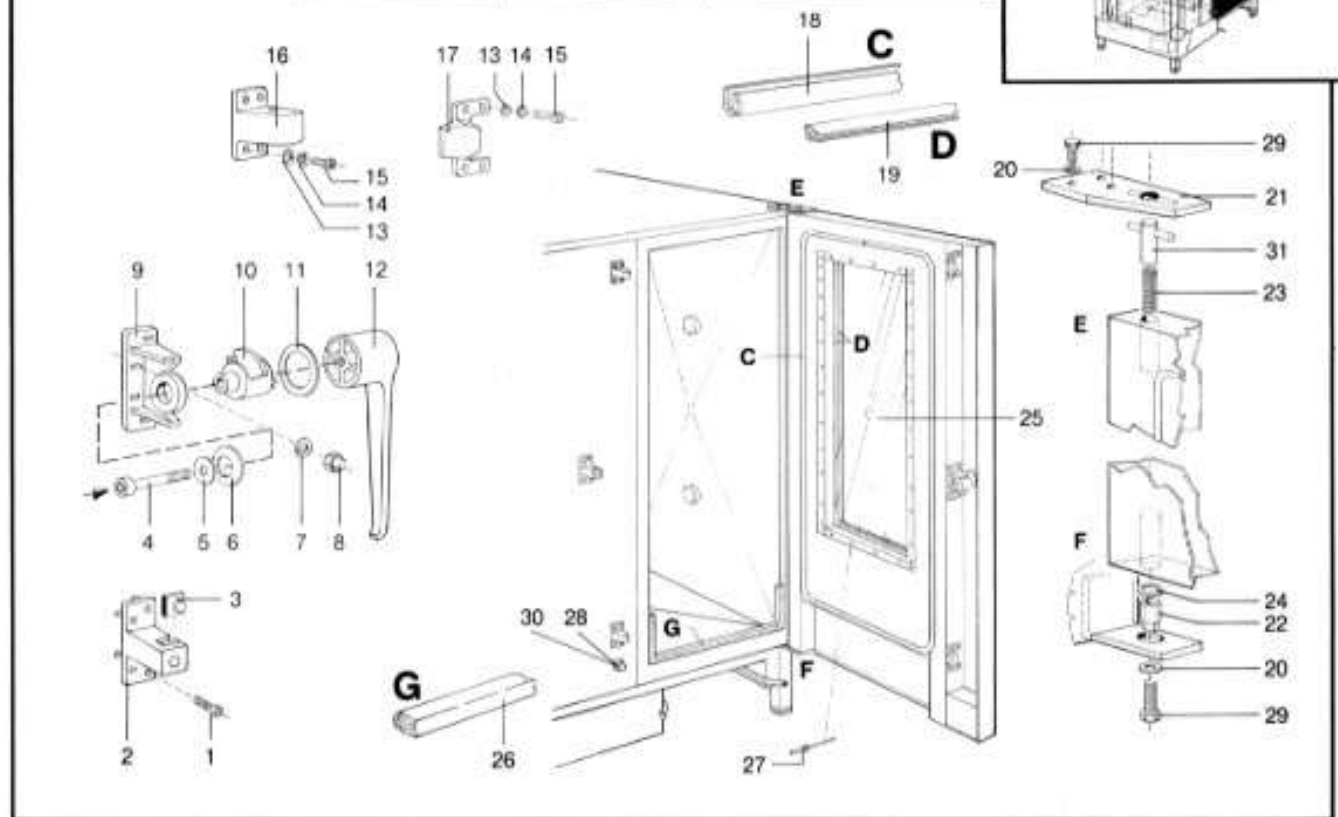
Pos.	Pcs.	Sp. Part No.	Description	Sign	Pos.	Pcs.	Sp. Part No.	Description	Sign
-	1	8202.1110	door complete		28	1	3016.1400	door switch	S3
-	1	2016.1400	door lock complete		29	5	1008.0763	socket countersunk head screw M 8x20	
1	4	1006.1960	socket countersunk head screw M 6x16		30	1	4016.0500	grommet	
2	1	2016.0603	door catch						
3	1	2016.0605	plastic insert						
4	1	2016.1456	hex socket head cap screw M 10x70						
5	1	2016.1454	washer A 10,5						
6	1	2016.1455	disc spring A 40x20						
7	4	1306.0120	washer A 6,4						
8	4	1106.0360	hex nut M6						
9	1	2016.1457	mounting base						
10	1	2016.1452	cam						
11	1	2016.1453	plastic washer						
12	1	2016.1450	door handle						
13	16	1305.0260	washer A 5,3						
14	16	1205.0360	spring washer						
15	16	1005.0661	hex socket head screw M 5x20						
16	2	2016.0604	ball catch female						
17	2	2016.1300	ball catch male						
18	1	5012.0701	set door gasket						
19	1	5012.0203	set window gasket						
20	2	1310.0160	washer A 10,5						
21	1	2580.960495	holder plate						
22	2	2016.0802	door bolt						
23	1	2001.0104	compression spring						
24	1	2031.0900	washer						
25	1	5015.0803	door window						
26	1	5012.0550	set gasket for HGW						
27	50	1603.0165	rivet						



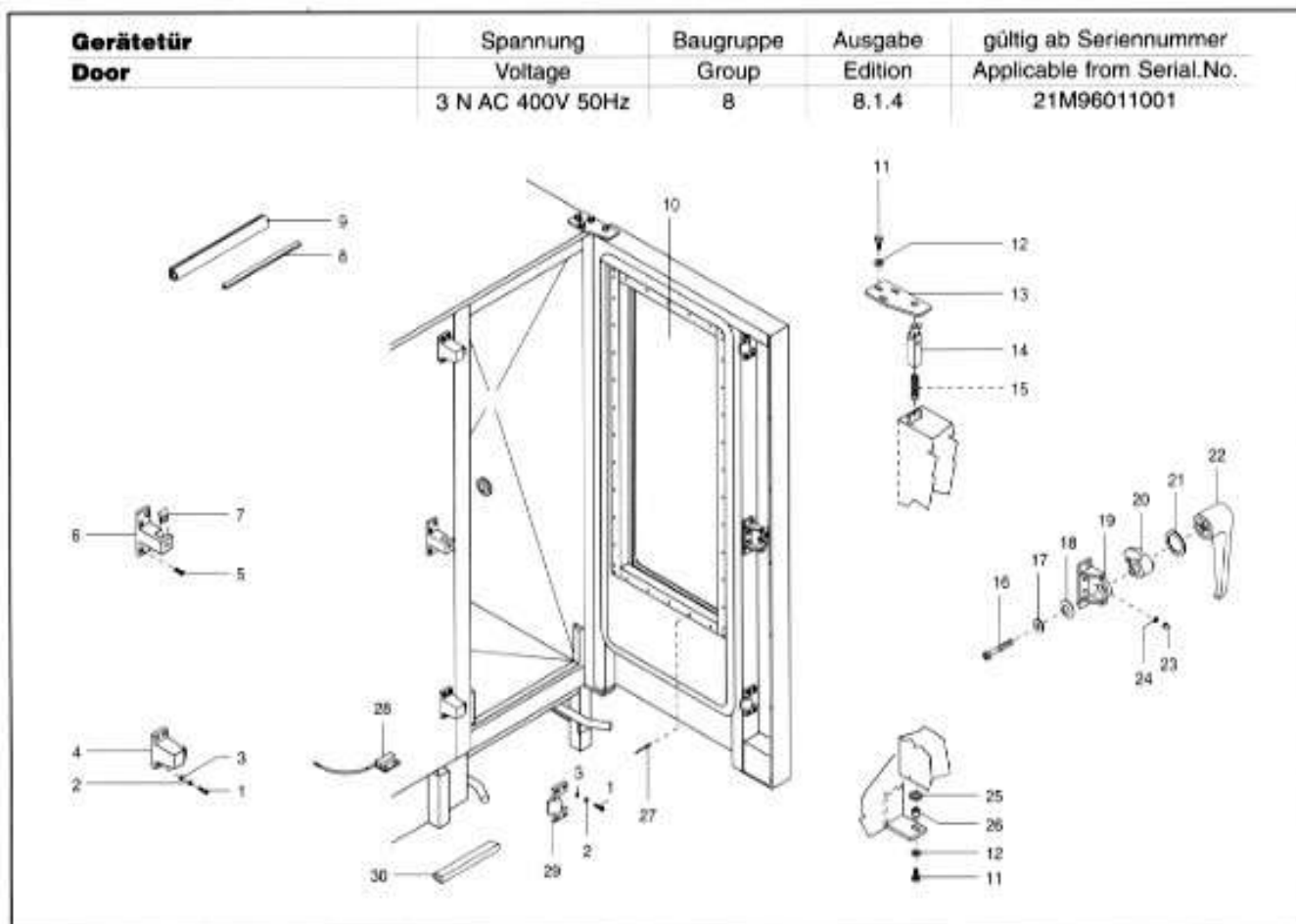


**Door**

Component Group	Page	Edition	applicable from Serial No.
<b>8</b>	<b>8.1</b>	<b>8.1.3</b>	<b>21M 89 04 1105</b>



Pos.	Pcs.	Sp.	Part No.	Description	Sign	Pos.	Pcs.	Sp.	Part No.	Description	Sign
-	1		8202.11100489	door complete		27	50		1603.0165	rivet	
-	1		2016.1400	door lock complete (pos. 12,11,10,9,6,5,4)		28	1		3016.1400	door switch	S3
1	4		1006.1960	socket countersunk head screw M 6x16		29	5		1008.0763	hex screw M 8x20	
2	1		2016.0603	door catch		30	1		4016.0500	grommet	
3	1		2016.0605	plastic insert		31	1		2016.0866	locking knob	
4	1		2016.1456	hex socket head cap screw M 10x70							
5	1		2016.1454	washer A 10,5							
6	1		2016.1455	disc spring A 40x20							
7	4		1306.0120	washer A 6,4							
8	4		1106.0360	hex cap nut M6							
9	1		2016.1457	mounting base							
10	1		2016.1452	cam							
11	1		2016.1453	plastic washer							
12	1		2016.1450	door handle							
13	16		1305.0260	washer A 5,3							
14	16		1205.0360	spring washer							
15	16		1005.0661	hex socket cap screw M 5x20							
16	2		2016.0604	ball catch female							
17	2		2016.1300	ball catch male							
18	1		5012.0701	set door gasket							
19	1		5012.0203	set window gasket							
20	4		1310.0160	washer A 10,5							
21	1		2680.960168	holder plate							
22	1		2016.0802	door bolt							
23	1		2001.0106	compression spring							
24	1		2031.0900	washer							
25	1		5015.0803	door window							
26	1		5012.0550	set gasket for HGW							

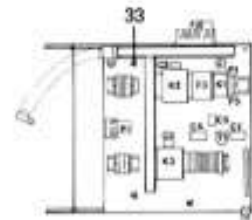
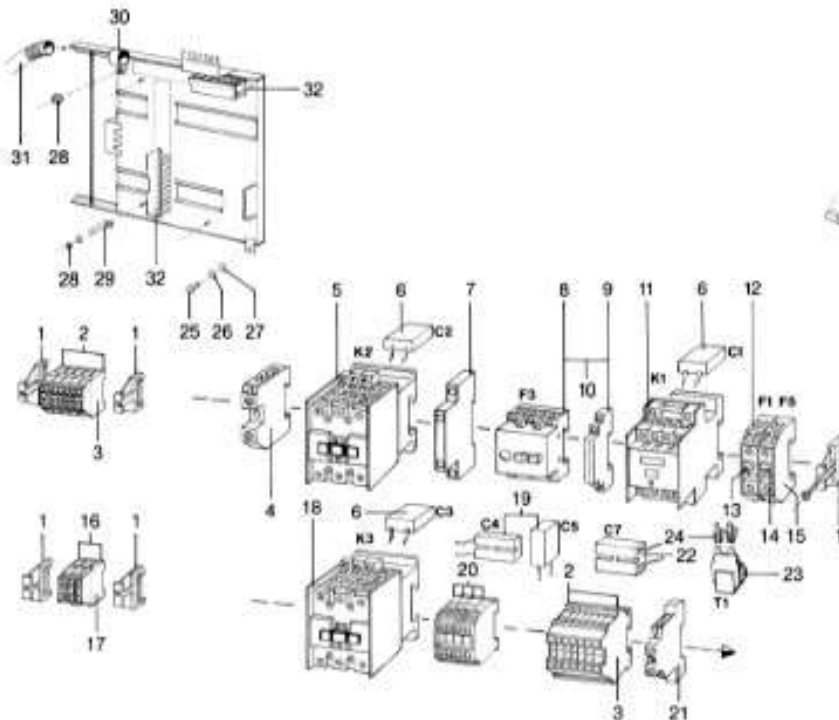


Pos.	St.	Ersatzl.Nr.	Bezeichnung	Description
Pos.	Pcs.	Sp. Part No.		
-	1	8202.15000489	Türe kpl. Typ 201	Door cpl. type 201
-	1	2016.1400	Türschloß kpl.	Door lock cpl.
1	16	1005.0661	Zylinderschraube mit Innensechskant M5x20	Hex socket head screw M5x20
2	16	1205.0360	Federring d5	Spring-washer d5
3	16	1305.0260	Unterlegscheibe A5,3 DIN9021	Washer A5,3 DIN9021
4	2	2016.0604	Schließblock	Ball catch
5	4	1006.1960	Senkschraube mit Innensechskant M6x16	Hex socket countersunk head screw M6x16
6	1	2016.0603	Schließkloben	Door catch
7	1	2016.0605	Kunststoffeinsatz für Schließkloben	Plastic insert for door catch
8	1	5012.0203	Satz Dichtung für Scheibe 5,4 m Typ 201	Set window gasket 5,4 m type 201
9	1	5012.0701	Satz Türdichtung Typ 201	Set door gasket for type 201
10	1	5015.0803	Glasscheibe Typ 201	Door window
11	4	1008.0763	Sechskantschraube M8x20	Hex screw M8x20
12	4	1310.0160	Unterlegscheibe A10,5	Washer A 10,5
13	1	2680.960168	Türhalteplatte ab 04/89	Bracket top for door
14	1	2016.0866	Rastknebel für Türe	Door stopping bolt cpl.
15	1	2001.0106	Druckfeder Tür ab 04/89	Compression spring door
16	1	2016.1456	Zylinderschraube mit Innensechskant M10x70	Hex socket head screw M10x70
17	1	2016.1454	Unterlegscheibe A10,5 für Türschloß	Washer A10.5 for door lock
18	1	2016.1455	Tellerfeder A40x20 für Türschloß	Disc spring A40x20 for door lock
19	1	2016.1457	Lagerbock	Mounting base
20	1	2016.1452	Schnecke	Cam
21	1	2016.1453	Kunststoffscheibe f. Türschloß	Plastic washer
22	1	2016.1450	Türgriff	Door handle
23	4	1106.0360	Hutmutter M6, hohe Form	Cap nut M6, high shape
24	4	1306.0120	Unterlegscheibe A6,4 DIN125	Washer A6,4
25	1	2031.0900	Unterlegscheibe d15 für Türe bis 04/89	Washer 15 mm door
26	1	2016.0802	Türhalteboizen d15x20	Door bolt d15x20
27	50	1603.0165	Blindniete 3,2x9,5	Rivet 3.2x9.5, CNS closed
28	1	3016.1415	Türkontaktschalter	Door contact switch
29	2	2016.1300	Schließplatte	Ball catch male
30	1	5012.0550	Satz Dichtung für HGW Typ 201	Set gasket for HGW

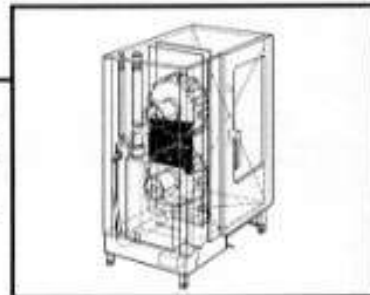


**Electrical Installation**

Component Group	Page	Edition	applicable from Serial No.
<b>2</b>	<b>2.1</b>	<b>2.1.1</b>	<b>21M 87 09 1001</b>

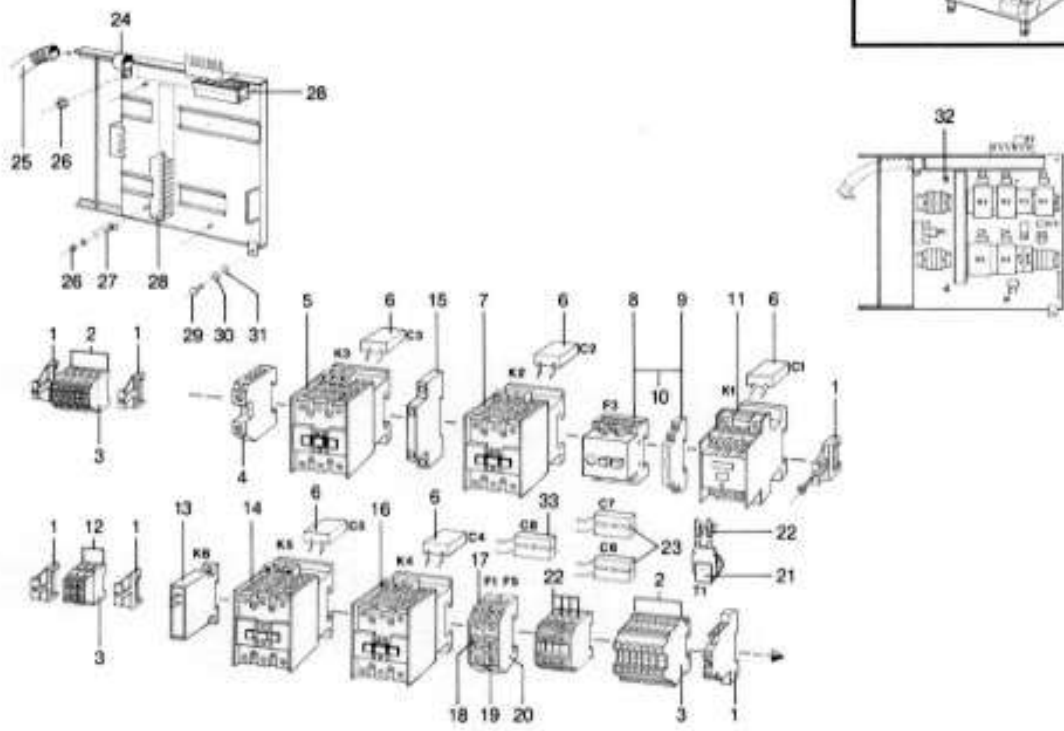


Pos.	Pcs.	Sp.	Part No.	Description	Sign	Pos.	Pcs.	Sp.	Part No.	Description	Sign
1	5		4001.1203	end plate		28	3		1105.0122	hex combi nut M5	
2	12		4001.1177	terminal block		29	3		2020.0401	cable clamp	
3	2		4001.1181	termination plaque		30	1		2066.0509	pipe clamp	
4	1		4001.1252	terminal block blue 35 mm <sup>2</sup>		31	1		4006.0702	flexible tube	
5	1		3028.0102	contactor for hot air heating	K2	32	1		4006.0701	cable shaft	
6	3		3035.0514	RC-link	C1-C3	33	1		2020.0400	cable clamp	
7	1		3028.0150	auxiliary contact for contactor K2							
8	-		3031.0107	motor protector							
9	-		3031.0102	auxiliary contactor for F3							
10	1		3031.0103	motor protector with auxiliary contactor	F3						
11	1		3028.0100	motor contactor	K1						
12	2		4001.1228	fuse holder	F1,F5						
13	1		3019.0120	fuse 2 A	F1						
14	1		3019.0400	fuse 0,5 A	F5						
15	1		4001.1227	end plate							
16	3		4001.1178	terminal block							
17	1		4001.1182	termination plaque							
18	1		3028.0102	contactor for steam generator heating	K3						
19	2		3035.0508	RC-link	C4,C5						
20	4		4001.1176	terminal block							
21	1		4001.1210	terminal block yellow green 16 mm <sup>2</sup>							
22	1		3035.0509	RC-link for buzzer	C7						
23	1		3006.0101	buzzer	T1						
24	2		4002.0103	multi point connector							
25	1		1008.0760	hex nut M 8x15							
26	1		1208.0160	toothed lock washer							
27	1		1308.0160	washer							

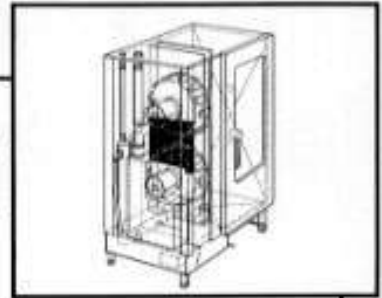


**Electrical Installation**

Component Group	Page	Edition	applicable from Serial No.
<b>2</b>	<b>2.1</b>	<b>2.1.2</b>	<b>21M 89 04 1105</b>

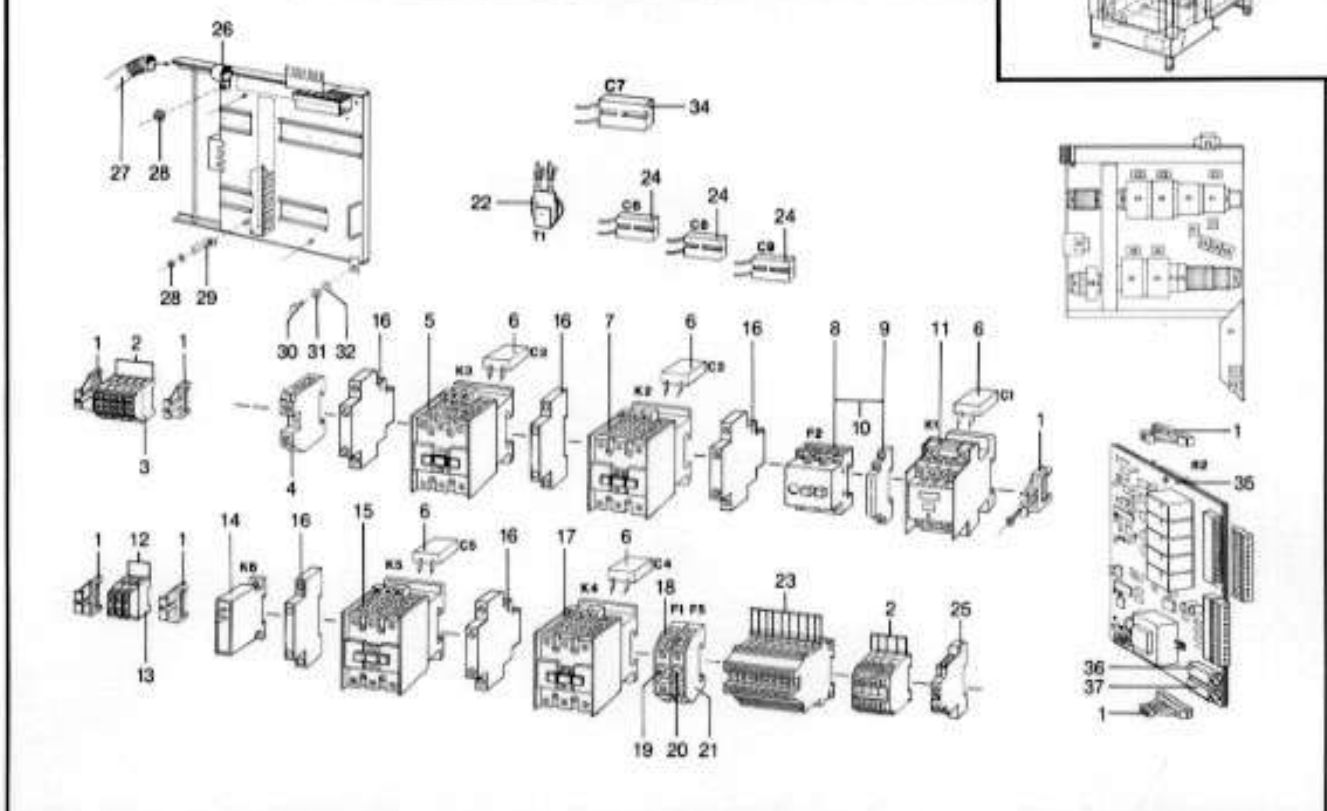


Pos.	Pcs.	Sp.	Part No.	Description	Sign	Pos.	Pcs.	Sp.	Part No.	Description	Sign
1	5		4001.1203	end plate		26	3		1105.0122	hex combi nut M5	
2	12		4001.1177	terminal block		27	2		2020.0401	cable clamp	
3	2		4001.1181	termination plaque		28	1		4006.0701	cable shaft	
4	1		4001.1252	terminal block blue 35 mm <sup>2</sup>		29	3		1008.0760	socket countersunk head screw M 8x15	
5	1		3028.0102	contactor for hot air heating	K3	30	1		1208.0160	toothed lock washer	
6	5		3035.0514	RC-link	C1-C5	31	1		1308.0160	washer	
7	1		3028.0101	contactor for hot air heating	K2	32	1		2020.0400	cable clamp	
8	-		3031.0107	motor protector		33	1		3035.0509	RC-link	C8
9	-		3031.0102	auxiliary contactor for motor protector							
10	1		3031.0103	motor protector with auxiliary contactor	F3						
11	1		3028.0100	motor contactor	K1						
12	3		4001.1178	terminal block							
13	1		3035.0404	time relay 1 sec. start delay	K6						
14	1		3014.0102	contactor for steam generator heating	K5						
15	1		3028.0150	auxiliary contact for K3							
16	1		3028.0101	contactor for generator heating	K4						
17	2		4001.1228	fuse holder	F1,F5						
18	1		3019.0120	fuse 2A	F1						
19	1		3019.0400	fuse 0,5A	F5						
20	1		4001.1227	end plate							
21	1		3006.0101	alarm buzzer	T1						
22	4		4001.1176	terminal block							
23	2		3035.0508	RC-link	C6-C7						
24	1		2066.0509	pipe clamp							
25	1		4006.0702	flexible tube							



**Electrical Installation**

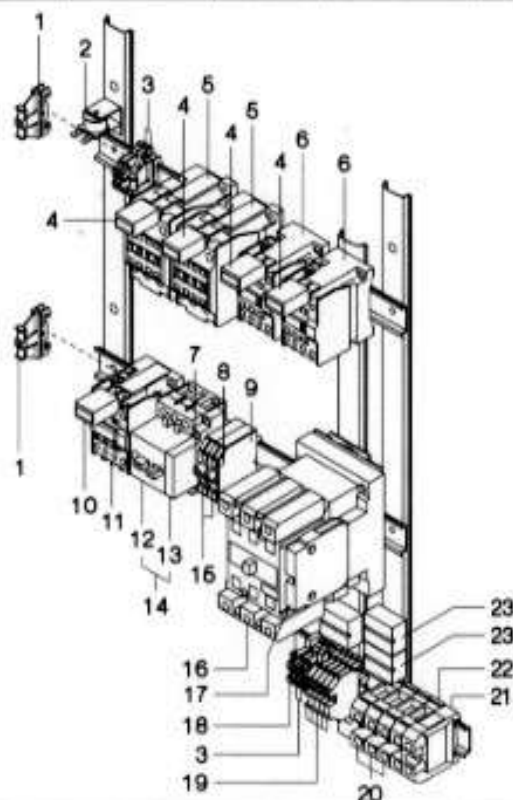
Component Group	Page	Edition	applicable from Serial No.
<b>2</b>	<b>2.1</b>	<b>2.1.3</b>	<b>21M 89 10 4001</b>



Pos.	Pcs.	Sp.	Part No.	Description	Sign	Pos.	Pcs.	Sp.	Part No.	Description	Sign
1	7		4001.1203	end plate		25	1		4001.1222	terminal block	
2	9		4001.1177	terminal block		26	1		2066.0509	yellow/green 4 mm <sup>2</sup>	
3	1		4001.1181	end plate		27	1		4006.0702	pipe clamp	
4	1		4001.1252	terminal block blue		28	5		1105.0122	flexible tube	
5	1		3028.0102	contactor for reheating	K3	29	3		2020.0401	hex-combi-nut M5	
				and hot air heating		30	1		1008.0760	cable clamp	
6	5		3035.0514	RC-link	C1-C5	31	1		1208.0160	socket countersunk	
7	1		3028.0101	contactor	K2	32	1		1308.0160	head screw M 8x15	
				for hot air heating		33	1		2020.0400	toothed lock washer	
8	-		3031.0107	motor protector		34	1		3035.0509	washer	
9	-		3031.0102	auxiliary contact		35	1		3002.0400	cable clamp	
				for motor protector		36	1		3019.0130	RC-link for alarm buzzer	C7
10	1		3031.0103	motor protector with	F3	37	1		3019.0110	level control pcb	A2
				auxiliary contact						fuse 0,315 A	F6
11	1		3028.0103	contactor for motor	K1					fuse 0,1 A	F7
12	3		4001.1178	terminal block							
13	1		4001.1182	end plate							
14	1		3035.0404	time relay	K6						
				1 sec. start delay							
15	1		3028.0102	contactor for	K5						
				steam generator heating							
16	1		3028.0150	auxiliary contact for							
				contactor K2/K3/K5							
17	1		3028.0101	contactor for reheating andK4							
				steam generator heating							
18	2		4001.1228	fuse holder	F1,F5						
19	1		3019.0120	fuse 2 A	F1						
20	1		3019.0400	fuse 0,5 A	F5						
21	1		4001.1227	end plate							
22	1		3006.0101	alarm buzzer	T1						
23	9		4001.1176	terminal block							
24	2		3035.0508	RC-link	C6,C8,C9						

**Electrical Installation**

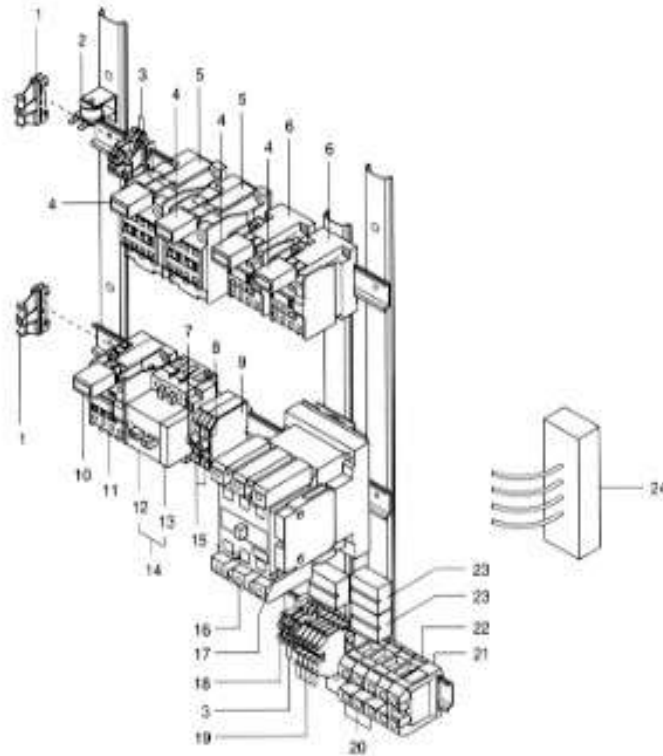
Voltage	Group	Page	Edition	Application from Serial. No.
<b>3 N AC 380V 50Hz</b>	<b>2</b>	<b>2.1</b>	<b>2.1.4</b>	<b>21M91042001</b>



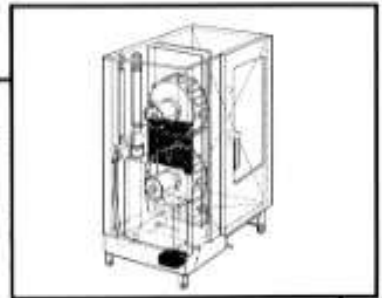
Pos.	Pcs.	Sp.	Part No.	Description	Sign.
1	4		4001.1203	end plate	
2	1		3006.0101	alarm buzzer	T1
3	4		4001.1216	terminal block 4mm <sup>2</sup> grey	
4	4		3035.0515	RC-link	C1-C4
5	2		3028.0512	contactor steam generator	K4,K4.1
6	2		3028.0508	contactor hot air	K3,K3.1
7	1		3019.0120	fuse 2A	F1
8	1		3019.0400	fuse 0,5A	F5
9	1		4001.1227	cover for fuse holder	
10	1		3035.0515	RC-link	R25
11	1		3028.0506	motor contactor	K2
12	-		3031.0107	motor protector	
13	-		3031.0102	auxiliary contact for F2	
14	1		3031.0103	motor protector cpl.	F2
15	2		4001.1228	fuse holder	F1,F5
16	1		3028.0513	main contactor	K1
17	1		3028.0520	auxiliary contact for K1	
18	1		4001.1222	earth terminal 4mm <sup>2</sup>	
19	5		4001.1176	terminal block	
20	3		4001.1206	terminal block 35mm <sup>2</sup> grey	
21	1		4001.1233	earth terminal 35mm <sup>2</sup>	
22	1		4001.1252	terminal block 35mm <sup>2</sup> blue	
23	3		3035.0509	RC-link	C5-C7



<b>Elektromontageplatte</b>	Spannung	Baugruppe	Ausgabe	gültig ab Seriennummer
<b>Electrical installation</b>	Voltage	Group	Edition	Applicable from Serial.No.
	3 N AC 400V 50Hz	2	2.1.5	21M96011001

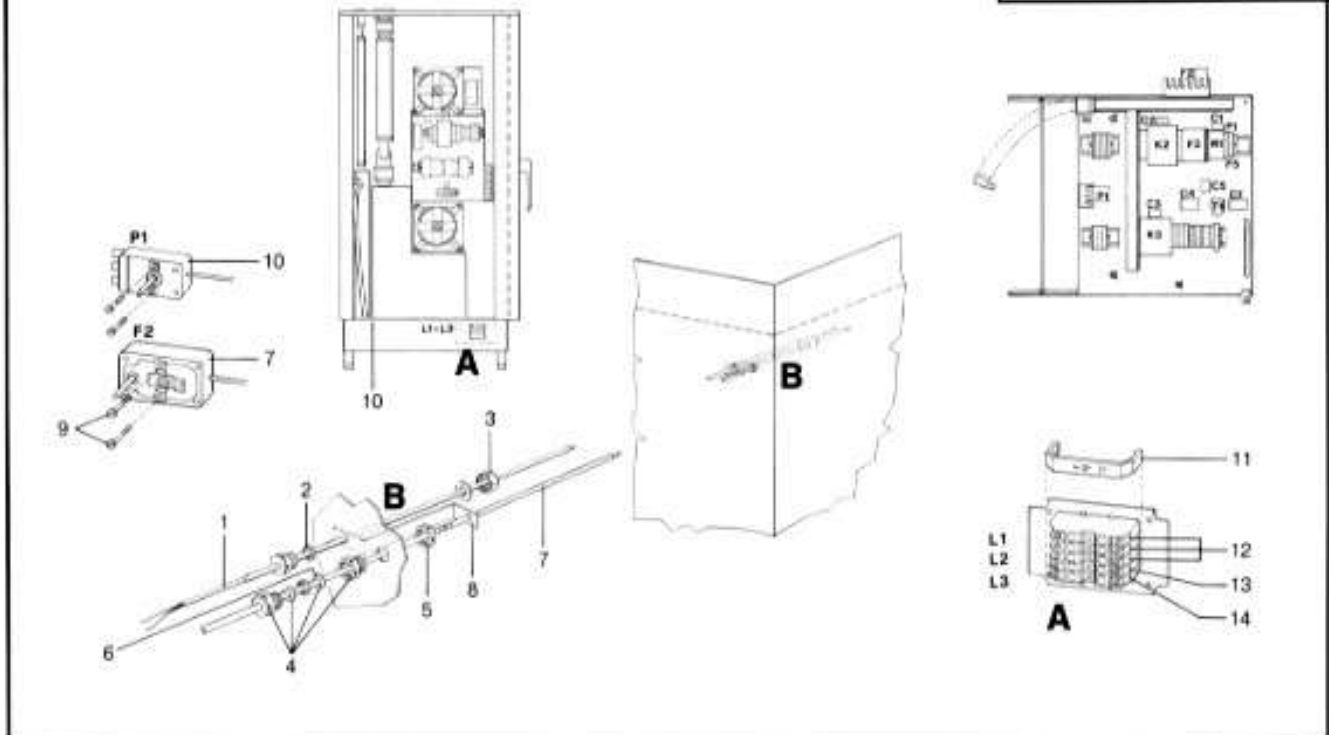


Pos.	St.	Ersatzl.Nr.	Bezeichnung	Description
Pos.	Pcs.	Sp. Part No.		
1	4	4001.1203	Endklammer für Tragschiene	End plate for mounting rail
2	1	3006.0101	Alarmsummer, 230 V	Buzzer, 230 V
3	4	4001.1216	Reihenklemme 4qmm grau	Terminal 4qmm grey
4	4	3035.0515	RC-Glied LS 4-37	RC-link LS 4-37
5	2	3028.0512	Schütz LS 37.00 200-240V 50/60Hz	Contacteur LS 37.00 200-240V 50/60Hz
6	2	3028.0508	Schütz LS 17.10 200-240V 50/60Hz	Contacteur LS 17.10 200-240V 50/60Hz
7	1	3019.0120	Feinsicherung 5x20 2,0A	Fuse 2A
8	1	3019.0400	Feinsicherung 5x20 0,5A	Fuse 0,5A
9	1	4001.1227	Endplatte für Reihen-Sicherungsklemme	End plate for fuse holder
10	1	3035.0517	RC-Glied	RC-link
11	1	3028.0506	Schütz LS 04.10 200-240V 50/60Hz	Contacteur LS 04.10 200-240V 50/60 Hz
12	-	3031.0107	Motorschutzschalter 1,6-2,5A	Motor protector 1,6-2,5
13	-	3031.0102	Hilfskontakt NHi 10 für PKZ	Auxiliary contact for motor protector NHi 10
14	1	3031.0103	Motorschutzschalter 1,6-2,5 A, mit Hilfskontakt	Motor protector 1,6-2,5A, with auxiliary contact
15	2	4001.1228	Reihen-Sicherungsklemme	Fuse holder terminal block
16	1	3028.0513	Schütz LS 47.00 200-240V 50Hz	Contacteur LS 47.00 200-240V 50Hz
17	1	3028.0520	Hilfskontakt HS 107 für Schütz LS 47 - LS 57	Auxiliary contact switch HS 17.01
18	1	4001.1222	Erdungsklemme 4qmm	Terminal block yellow/green 4 qmm
19	5	4001.1176	Reihenverteiler	Terminal block plug type
20	3	4001.1206	Reihenklemme 35qmm grau	Terminal block 35qmm grey
21	1	4001.1233	Erdungsklemmen 35qmm gelb-grün	Terminal block yellow/green 35qmm
22	1	4001.1252	Reihenklemme 35qmm blau	Terminal block, blue 35 qmm
23	3	3035.0508	RC-Glied	RC-link
24	1	3001.0452	Entstörfilter	Electronic noise filter

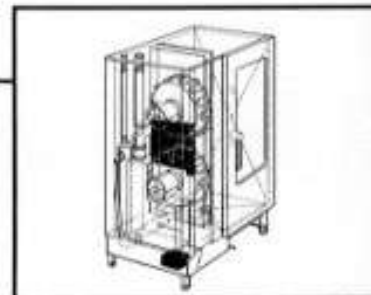


**Electrical Installation**

Component Group	Page	Edition	applicable from Serial No.
<b>2</b>	<b>2.2</b>	<b>2.2.1</b>	<b>21M 87 09 1001</b>

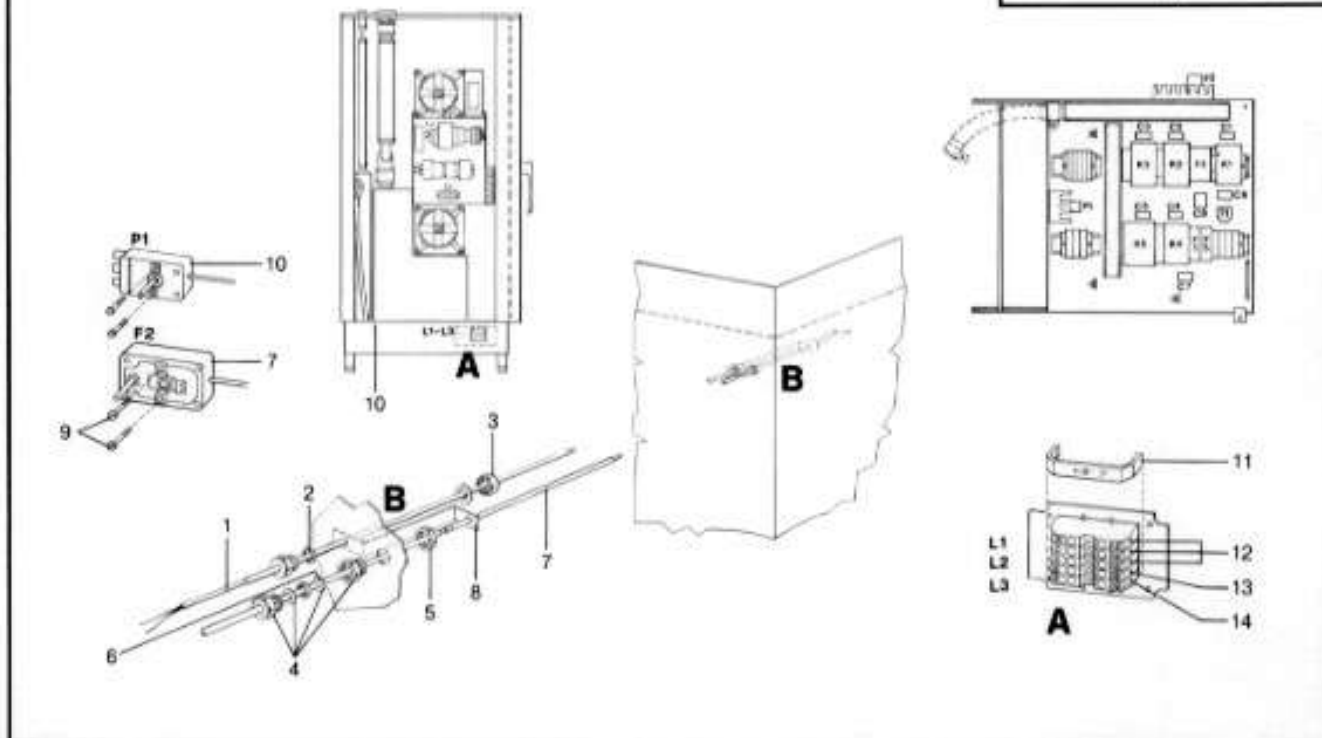


Pos.	Pcs.	Sp. Part No.	Description	Sign
1	1	3014.0151	sensor interior cabinet	B1
2	1	1315.0101	copper washer	
3	1	1106.0160	hex nut M6	
4	1	4007.0600	cable connection PG9	
5	1	4007.0601	lock nut for cable connection PG9	
6	1	2022.0100	gasket	
7	1	3014.0310	bi-limit safety thermostat	F2
8	1	2520.510531	holder for thermostat	
9	4	1004.0060	slotted pan head screw M 4x4	
10	1	3014.0312	thermostat quenching system	P1
11	4	4001.1215	end plate	
12	3	4001.1206	terminal block grey 35 mm <sup>2</sup>	
13	1	4001.1252	terminal block blue 35 mm <sup>2</sup>	
14	1	4001.1233	terminal block yellow/green 35 mm <sup>2</sup>	



**Electrical Installation**

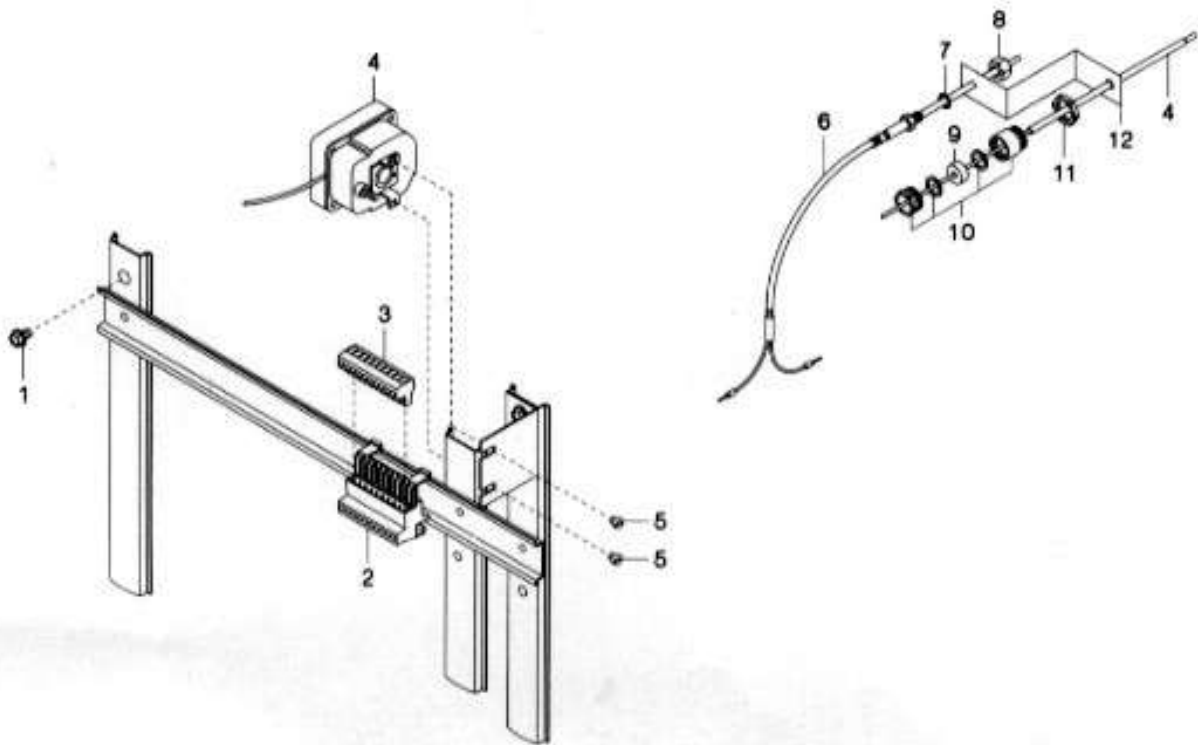
Component Group	Page	Edition	applicable from Serial No.
<b>2</b>	<b>2.2</b>	<b>2.2.2</b>	<b>21M 89 04 1105</b>



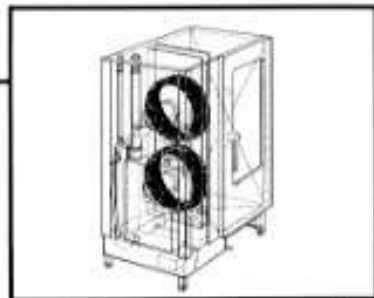
Pos.	Pcs.	Sp.	Part No.	Description	Sign
1	1		3014.0151	sensor interior cabinet	B1
2	1		1315.0101	copper washer	
3	1		1106.0160	hex nut M6	
4	1		4007.0600	cable connection PG9	
5	1		4007.0601	lock nut for cable connection PG9	
6	1		2022.0100	gasket	
7	1		3014.0310	bi-limit safety thermostat	F2
8	1		2520.510531	holder for thermostat	
9	4		1004.0060	slotted pan head screw M 4x4	
10	1		3014.0312	thermostat quenching system	P1
11	4		4001.1215	end plate	
12	3		4001.1206	terminal block grey 35 mm <sup>2</sup>	
13	1		4001.1252	terminal block blue 35 mm <sup>2</sup>	
14	1		4001.1233	terminal block yellow/green 35 mm <sup>2</sup>	

**Electrical Installation**

Voltage	Group	Page	Edition	Application from Serial. No.
<b>3 N AC 380V 50Hz</b>	<b>2</b>	<b>2.2</b>	<b>2.2.3</b>	<b>21M91042001</b>

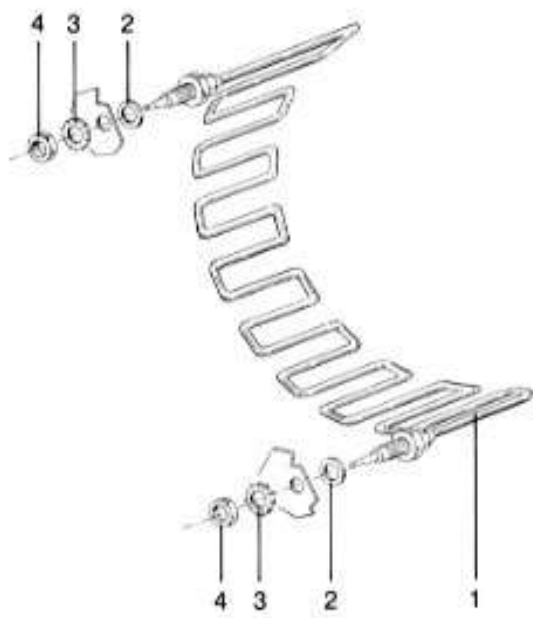


Pos.	Pcs.	Sp.	Part No.	Description	Sign.
1	6		1005.2000	safety screw M5x8	
2	1		3040.0178	multipoint connector BL10	
3	1		3040.0177	plug-in module BL10	
4	1		3014.0310	bi-limit safety thermostat 360°C	F4
5	2		1004.0060	slotted pan head screw M4x4	
6	1		3014.0151	interior cabinet sensor	E4
7	1		1315.0101	copper washer	
8	1		1106.0160	hex nut M6	
9	1		2022.0100	gasket	
10	1		4007.0600	cable connection PG9	
11	1		4007.0601	hex nut PG9	
12	1		2520.400212	holding angle	



**Hot Air Heating**

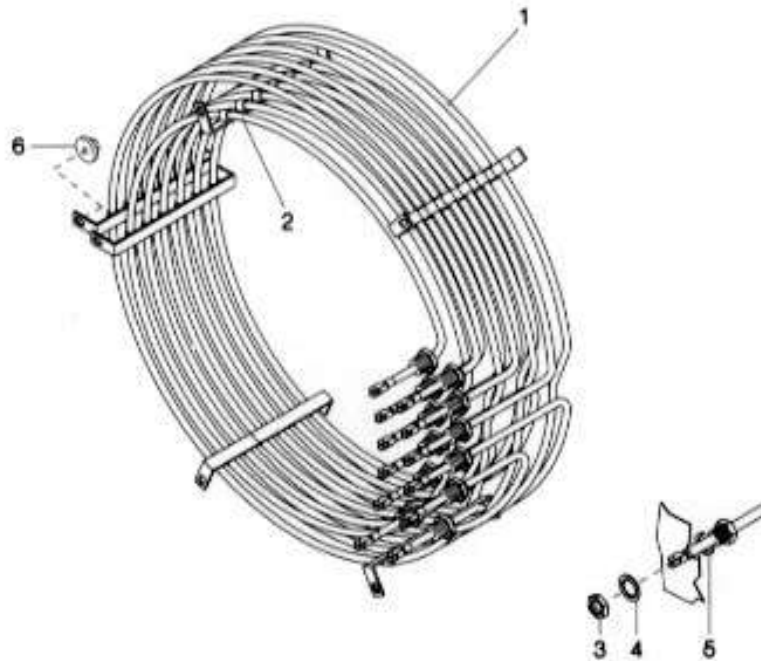
Component Group	Page	Edition	applicable from Serial No.
<b>5</b>	<b>5.1</b>	<b>5.1.1</b>	<b>21M 87 09 1001</b>



Pos.	Pcs.	Sp.	Part No.	Description	Sign
1	18		3004.1403	heating element 2 KW	
2	36		3004.1404	copper washer	
3	36		3004.1405	toothed lock washer	
4	36		3004.1406	hex nut M14	

**Hot Air Heating**

Voltage	Group	Page	Edition	Application from Serial. No.
<b>3 N AC 380V 50Hz</b>	<b>5</b>	<b>5.1</b>	<b>5.1.2</b>	<b>21M91042001</b>

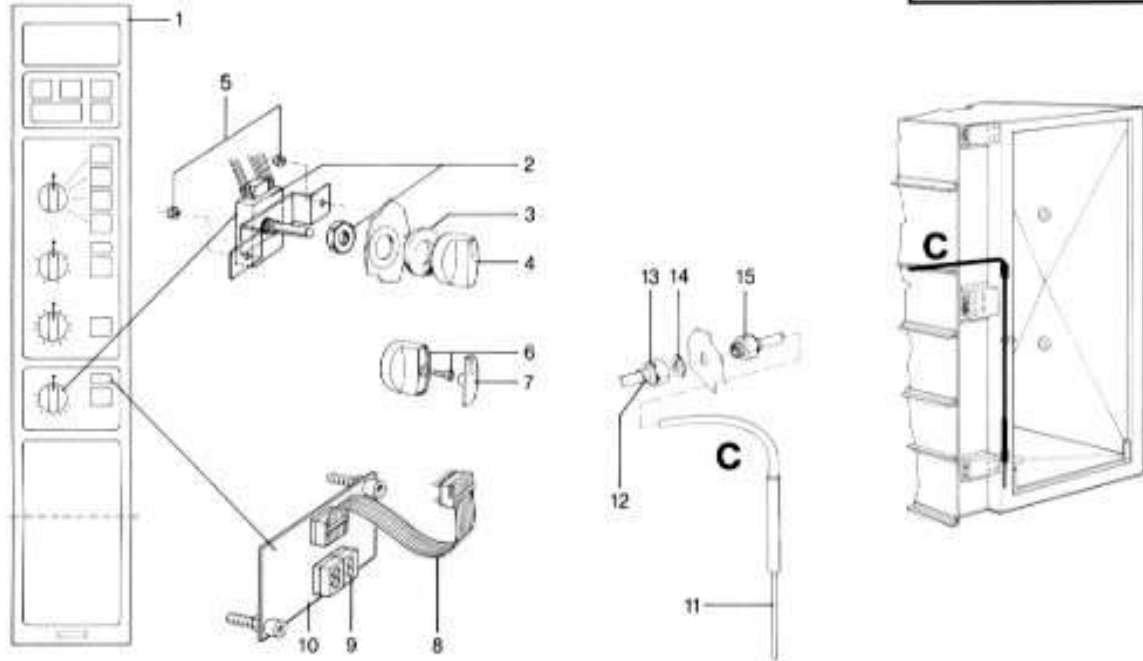


Pos.	Pcs.	Sp.	Part No.	Description	Sign.
-	2		3004.3520	heating assembly cpl.	
1	2		3004.3530	heating assembly big	
2	2		3004.3531	heating assembly small	
3	24		3004.1406	hex nut M14	
4	24		3004.1405	toothhead lock washer	
5	24		3004.1404	copper washer	
6	12		1106.0801	hex-combi-nut M6	



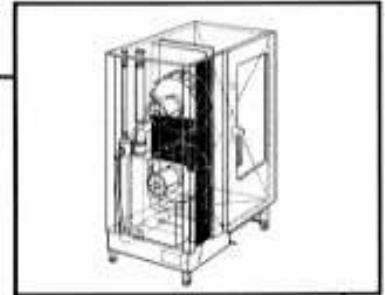
**Core Temperature / Meat Probe**

Component Group	Page	Edition	applicable from Serial No.
<b>3</b>	<b>3.1</b>	<b>3.1.1</b>	<b>21M 87 09 1001</b>



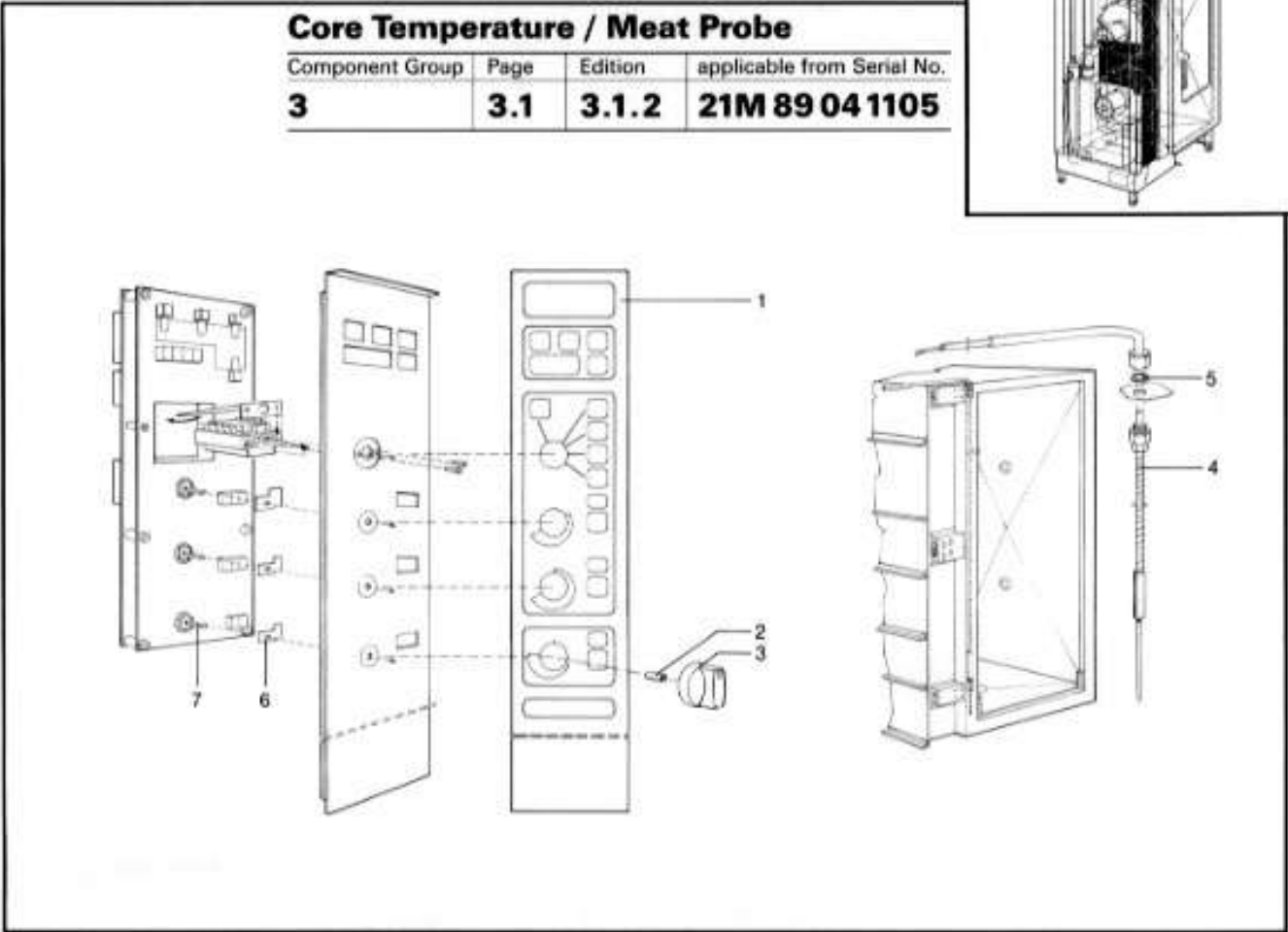
Pos.	Pcs.	Sp.	Part No.	Description	Sign
1	1		2049.0612	control panel	
2	1		3040.0151	poti for core temp.	S4,R2
3	1		5012.0530	gasket	
4	1		3013.0329	dial complete	
5	1		1106.0801	hex combi nut M6	
6	1		3013.0326	dial	
7	1		3013.0328	dial-cover	
8	1		3040.0161	flat cable	
9	2		3040.0170	LED-display	
10	1		3040.0152	PCB – core temperature (pos 8, 9, 10)	
11	1		3035.0608	meat probe sensor	B4
12	1		2066.0508	hose clamp	
13	1		3014.0306	hex nut for stuffing box	
14	1		3035.0606	copper washer	
15	1		3014.0307	stuffing box	





**Core Temperature / Meat Probe**

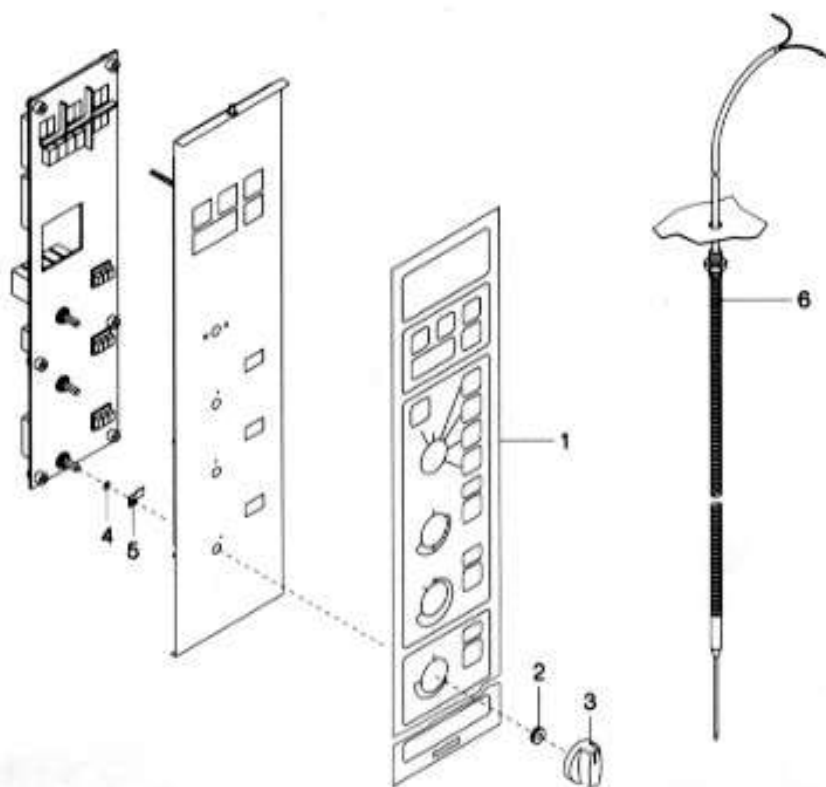
Component Group	Page	Edition	applicable from Serial No.
<b>3</b>	<b>3.1</b>	<b>3.1.2</b>	<b>21M 89 04 1105</b>



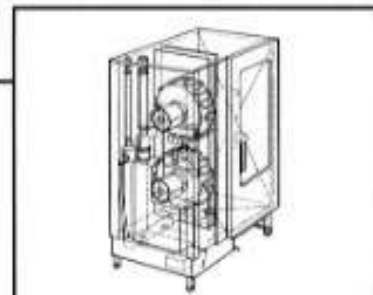
Pos.	Pcs.	Sp. Part No.	Description	Sign
1	1	2049.0714	control panel	
2	1	3013.0331	dial	
3	1	2022.0104	bushing	
4	1	3035.0608	meat probe sensor	B4
5	1	3035.0606	copper washer	
6	1	2510.520731	stop for poti core temp./timer	
7	1	3040.0183	poti for core temp.	Koch
7	1	3040.0190	poti plug core temp.	Koch
7	1	3040.0186	poti for core temp.	EGO

**Core Temperature / Meat Probe**

Voltage	Group	Page	Edition	Application from Serial. No.
<b>3 N AC 380V 50Hz</b>	<b>3</b>	<b>3.1</b>	<b>3.1.3</b>	<b>21M91042001</b>



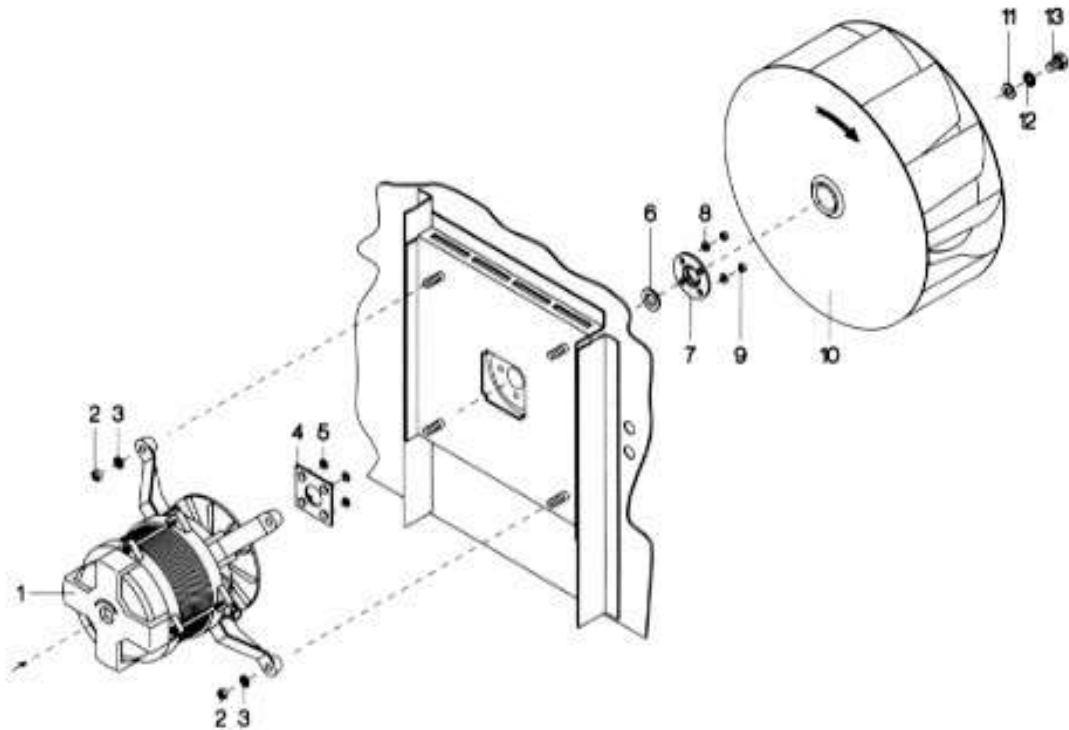
Pos.	Pcs.	Sp.	Part No.	Description	Sign.
1	1		2049.0822	control panel	
2	1		2022.0104	grommet	
3	1		3013.0330	dial	
4	1		1315.0101	copper washer	
5	1		2510.520731	stop for poti	
6	1		3035.0608	core temperature sensor core temperature	E1

**Miscellaneous**

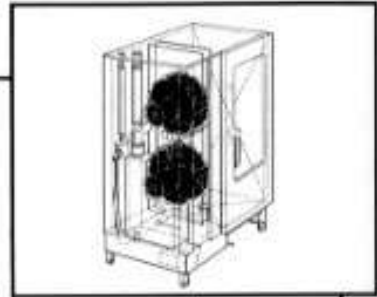
Pos.	Pcs.	Sp. Part No.	Description	Sign
1	1	XXXX.XXXX	interior wiring	indicate order with serial nr. of unit (wiring harness)
2	100	4002.0100	cable shoes 2,5 x 6,3	
3	100m	8801.1000	silicone wire, coloured 1,5 mm <sup>2</sup> , (indicate colour)	
4	10m	4015.0202	fibre glass, black 1,5 mm <sup>2</sup>	
5	10m	4015.0201	fibre glass, blue 1,5 mm <sup>2</sup>	
6		9009.1000	high heat paste (tube)	
7		5006.0200	silicone (tube)	
8	2	2005.0401	castor without brake for transport trolley	
9	2	2005.0402	castor with brake for transport trolley	
10	1	8400.3011	handle for roll-in trolley	
11		1603.0164	pop rivet 3,2 x 10	
12		1004.2160	hex head tapping screw B 4,2 complete with washer V 2 A	
13		1104.0821	clamp V 2 A	
14		2001.0040	loctite, heat resistant 10 ml	
15		9006.0850	stainless steel cleaner paste	

**Motor and Fan Wheel**

Voltage	Group	Page	Edition	Application from Serial. No.
3 N AC 380V 50Hz	6	6.1	6.1.2	21M91042001

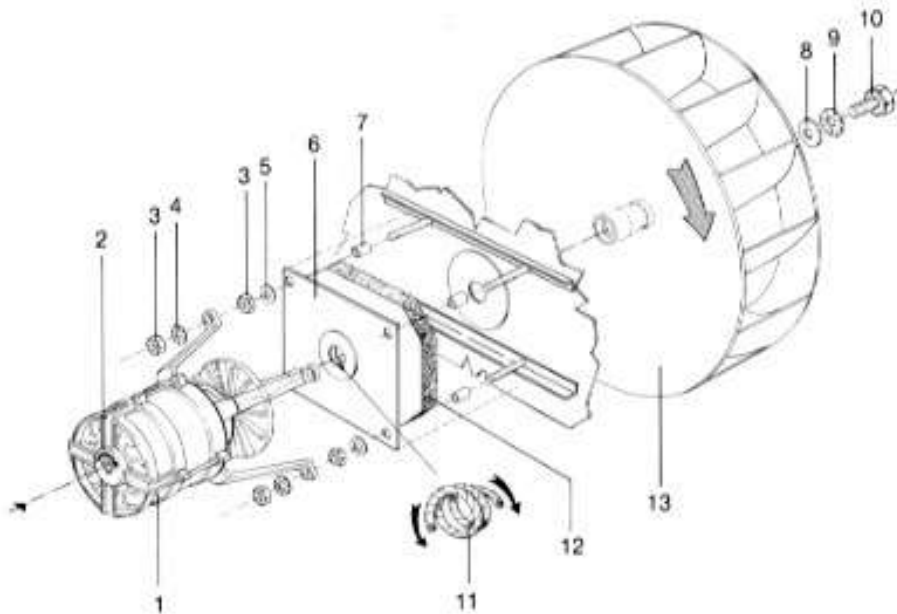


Pos.	Pcs.	Sp.	Part No.	Description	Sign.
1	2		3001.0426	motor	M1
2	8		1108.0260	hex nut M8	
3	8		1208.0160	toothed lock washer A8,4	
4	2		8506.0104	holder plate	
5	8		1315.0101	copper washer	
6	2		5001.0207	motor gasket	
7	2		2016.0876	gasket flange	
8	8		1306.0120	washer A6,4	
9	8		1106.0220	hex nut M6 flat	
10	2		2012.0500	fan wheel	
11	2		1310.0160	washer A10,5	
12	2		1210.0160	toothed lock washer A10,5	
13	2		1010.0760	hex screw M10x16	



**Motor and Fan Wheel**

Component Group	Page	Edition	applicable from Serial No.
<b>6</b>	<b>6.1</b>	<b>6.1.1</b>	<b>21M 87 09 1001</b>

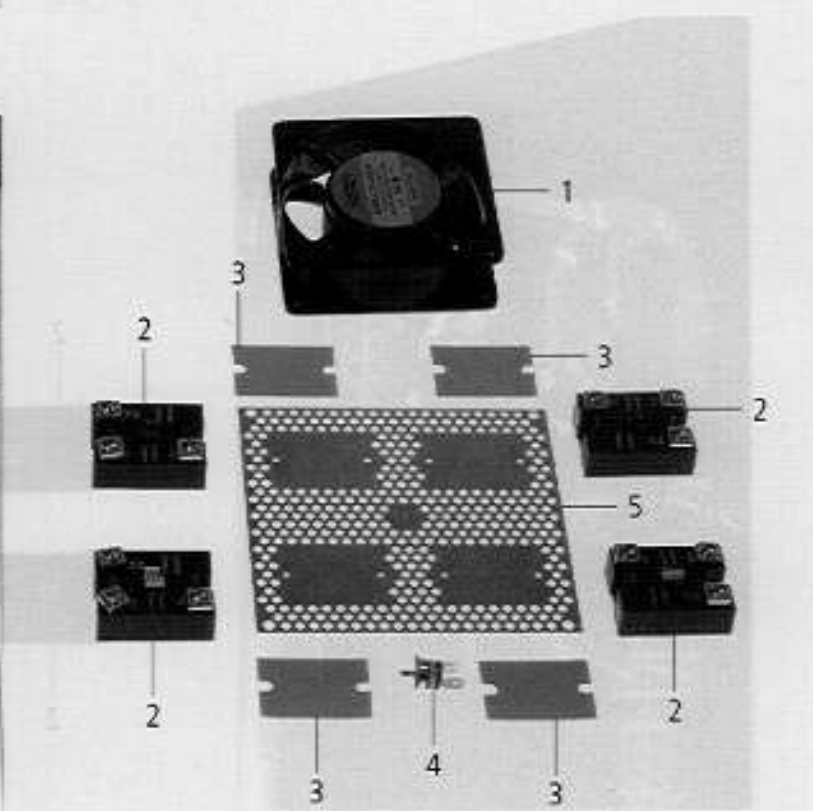
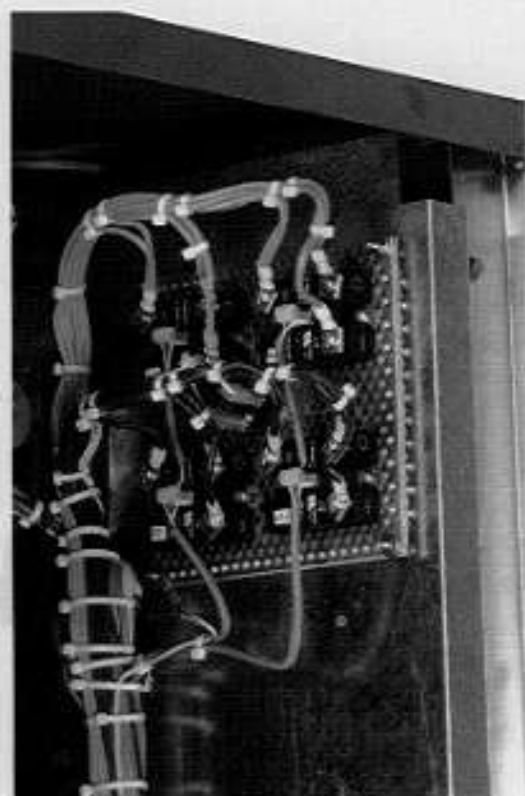


Pos.	Pcs.	Sp.	Part No.	Description	Sign
1	2		3001.0400	motor	
2	2		4019.0012	label direction of fan rotation	
3	16		1108.0260	hex nut M8	
4	16		1208.0160	toothed lock washer A 8,4	
5	8		1308.0561	washer 9 mm	
6	2		8006.8008	motor shaft packing complete	
7	8		2016.0848	spacer	
8	2		1310.0160	washer A 10,5	
9	2		1210.0160	toothed lock washer A 10,5	
10	2		1010.0760	hex screw M 10x16	
11	2		5002.0301	rope packing, greased	
12	2		5009.0101	insulation plate 200x205x20 mm	
13	2		2012.0500	fan wheel complete (pos. 8 - 10)	

**Bedienblende / Control panel**

 Spannung / Voltage: **3 N AC 400V 50Hz**

 Baugruppe / Group: **3** Ausgabe / Edition: **3.2.1**

 Gültig ab Seriennummer / Applicable from serial. no.: **E21MA97061001**


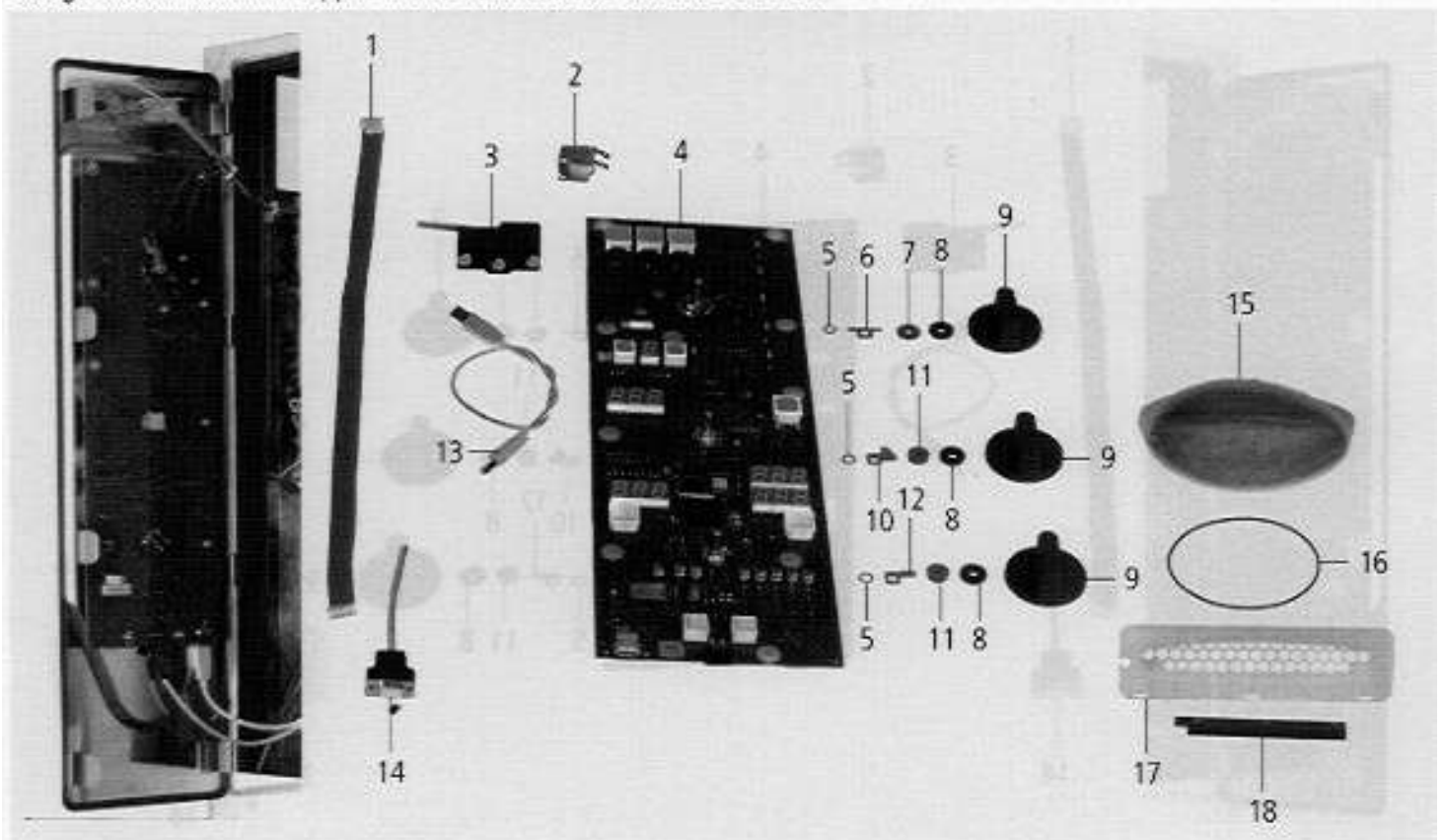
Pos.	St.	Ersatzteil Nr.	Bezeichnung	Description	Bez.
Pos.	Pcs.	Spare part no.			Sign.
1	1	3101.1008	Kühlüfter	Cooling motor	M2
2	4	3028.0533	Leistungshalbleiter 2x40A	Solid State relais 2pol, 40A	K3
-	8	1004.0500	Gewinde Schneidschraube M4x8 mit Linsenkopf	Raised countersunk metal screw M4x8	
-	8	1204.0120	Zahnscheibe A4,3	Toothed lock washer A4,3	
3	4	3028.0531	Wärmeleitfolie für Leistungshalbleiter	Heat transfer tape solid state relais	
4	1	3014.0325	Bimetallschalter 110°, Halbleiterplatte	Bimetal switch 110° solid state relay	F4
5	1	2930.1303	Kühlplatte-Leistungshalbleiter	Cooling plate solid state relay	
-	4	1004.0662	Innensechskantschraube M4x25	Allen screw M4x25	
-	4	1204.0120	Zahnscheibe A4,3	Toothed lock washer A4,3	
-	4	1306.0218	Unterlegscheibe A4,3 DIN9021	Washer A4,3 DIN9021	
-	4	1104.0122	Sechskant-Combimutter M4 verzinkt	Hex combination nut M4 galv	

**Bedienblende / Control panel**

Spannung / Voltage: 3 N AC 400V 50Hz

Baugruppe / Group: 1 Ausgabe / Edition: 1.1.1

Gültig ab Seriennummer / Applicable from serial. no.: E22MA97061001



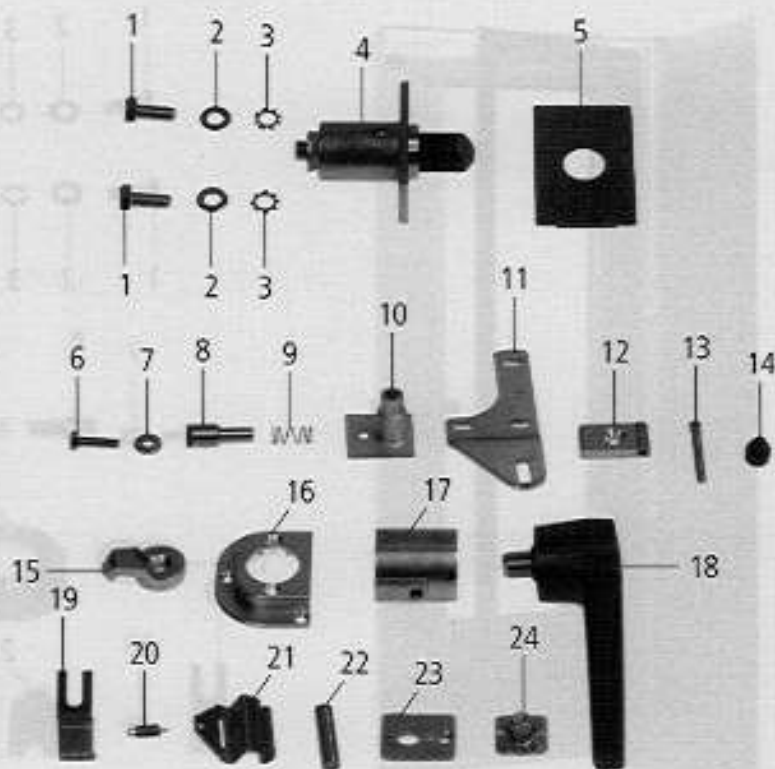
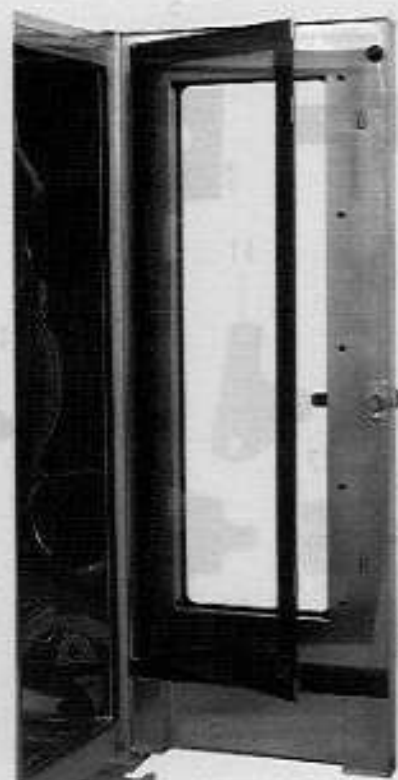
Pos.	St.	Ersatzteil Nr.	Bezeichnung	Description	Bez. Sign.
Pos.	Pcs.	Spare part no.			
1	1	8720.1300	Datentransferkabel CPU-Bedienplatine	Bus cable CPU - operator pcb	
2	1	3006.0107	Alarmsummer 12V, AC	Buzzer 12V ac	T2
3	1	3040.3011	Hauptschalter	Main switch	S1
-	2	1003.0030	Zylinderschraube M3x25	Slotted head screw M3x25	
-	2	1203.0260	Federing B3	Spring washer B3	
-	2	1304.0150	Unterlegscheibe A3,2	Washer A3,2	
-	2	1103.0120	Sechskantmutter M 3	Hexagonal nut M3	
4	1	3040.3010	Bedienplatine	Operator pcb	A1
5	3	1315.0101	Kupferdichtung 6x10 mm	Copper gasket 6x10 mm	
6	1	2760.1129	Arretierung für Poti Betriebsartenschalter	Arrestment for Poti mode switch block	
7	1	5110.1029	Dichtung für Betriebsartenschalter	Gasket mode switch	
8	3	5110.1027	Distanzscheibe	Distance plate	
9	3	3013.0344	Knebel	Dial	
10	1	2510.530746	Arretierung für Poti Heißluft	Stop for Poti hot air	
11	2	5110.1028	Dichtung für Poti Heißluft und Kerntemperatur	Gasket Poti hot air, core temperature	
12	1	2760.1100	Arretierung für Poti Kerntemperatur	Stop for Poti core temperature	
13	1	8720.1302	Kabel für Spannungsversorgung	Power supply cable operator pcb	
14	1	8817.1040	Schnittstellenkabel	Interface cable	
15	1	5214.1300	Luftfilter Bedienblende	Air inlet filter control panel	
16	1	5012.0565	O-Ring d 115x2,5mm	O-ring d 115x2,5mm	
17	1	2039.0337	Filterträger Bedienblende	Filter support control panel	
18	1	2039.0338	Gleitschutz Handbrausenschlauch	Corner guard handshower hose	
-	1	5100.1011	Dichtung für Blendeneinsatz	Gasket frame for panel	



**Gerätetür / Door**

 Spannung / Voltage: **3 N AC 400V 50Hz**

 Baugruppe / Group: **8** Ausgabe / Edition: **8.1.1**

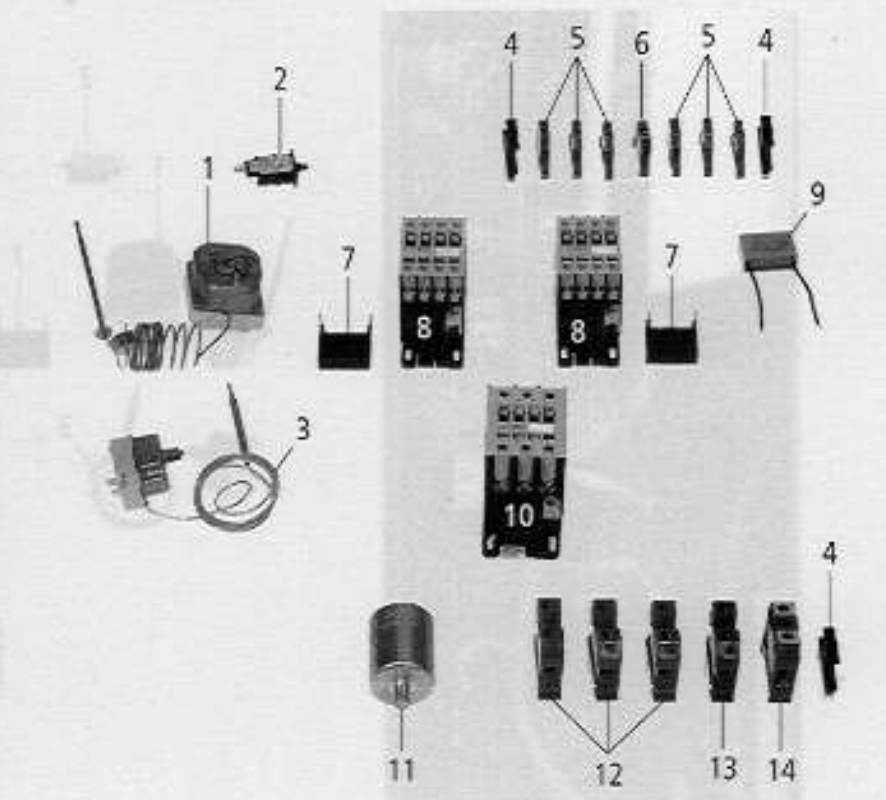
 Gültig ab Seriennummer / Applicable from serial no.: **E21MA97061001**


Pos.	St.	Ersatzteil Nr.	Bezeichnung	Description	Bez. Sign.
Pos.	Pcs.	Spare part no.			
-	1	8470.5100	Türe kpl.	Door cpl.	
-	1	8474.1318	Innenglasscheibe kpl.	Internal glass cpl.	
-	1	5105.1023	Garraumdichtung	Door gasket	
-	1	5105.1025	HGW-Dichtung	Gasket for transport trolley	
1	2	1008.0760	Sechskantschraube M8x16	Hexagonal screw M8x16	
2	2	1308.0160	Unterlegscheibe A8,4	Washer A8,4	
3	2	1206.0120	Zahnscheibe d 6,4mm	Toothed disc d 6.4 mm	
4	1	8514.1307	Fangkloben	Door catch	
5	1	8455.1300	Schließklobenabdeckung	Door bolt cover	
6	1	1006.0761	Sechskantschraube M 6x12	Hexagonal screw M 6x12	
7	1	1306.0120	Unterlegscheibe A6,4	Washer A6.4	
8	1	2120.1254	Achszapfen Tür oben	Door bolt top	
9	1	2001.0118	Druckfeder oberer Türhaltebolzen	Compression spring upper door bolt	
10	1	2940.1300	Achshülse Tür oben	Sleeve for door bolt top	
11	1	2930.1307	Türhalteplatte oben	Door mounting support top	
12	2	2940.1309	Scharnier für Innenscheibe	Hinge for inner glass	
-	2	1005.1960	Senkschraube mit Innensechskant M5x16	Hex socket countersunk head screw M5x16	
13	3	2120.1258	Rändelbolzen für Türhaltescharnier	Knurled bolt for inner door hinge	
14	2	2039.0402	Puffer für Türe	Door buffer	
15	1	2940.1305	Türriegel	Door bolt	
-	1	1008.1960	Senkschraube m. Innensechskant M 8x30	Countersunk-head screw with hexagonal socket M8x30	
16	1	2940.1306	Abdeckung Türverschuß	Cover door lock	
17	1	8474.1305	Verschuß Tür	Door lock	
18	1	2016.1507	Türgriff	Door handle	
19	1	2760.1396	Federhalter für Arretierung Innenglassscheibe	Spring support	
20	1	2002.0106	Zugfeder für Arretierung Innenglassscheibe	Tension spring for interior window	
21	1	2760.1395	Arretierung Innenglassscheibe	Holding bracket for interior glass	
22	1	3016.1409	Magnet rund	Magnet round	
23	1	2940.1302	Rasthülse	Door setting bolt	
-	1	1008.0766	Sechskantschraube M8x30	Hexagonal screw M8x30	
24	1	2940.1303	Rastzapfen 110°	Stop bolt 110°	
-	1	1005.1960	Senkschraube mit Innensechskant M5x16	Hex socket countersunk head screw M5x16	

**Elektromontageplatte / Electrical Installation**

 Spannung / Voltage: **3 N AC 400V 50Hz**

 Baugruppe / Group: **3** Ausgabe / Edition: **3.1.1**

 Gültig ab Seriennummer / Applicable from serial. no.: **E21MA97061001**


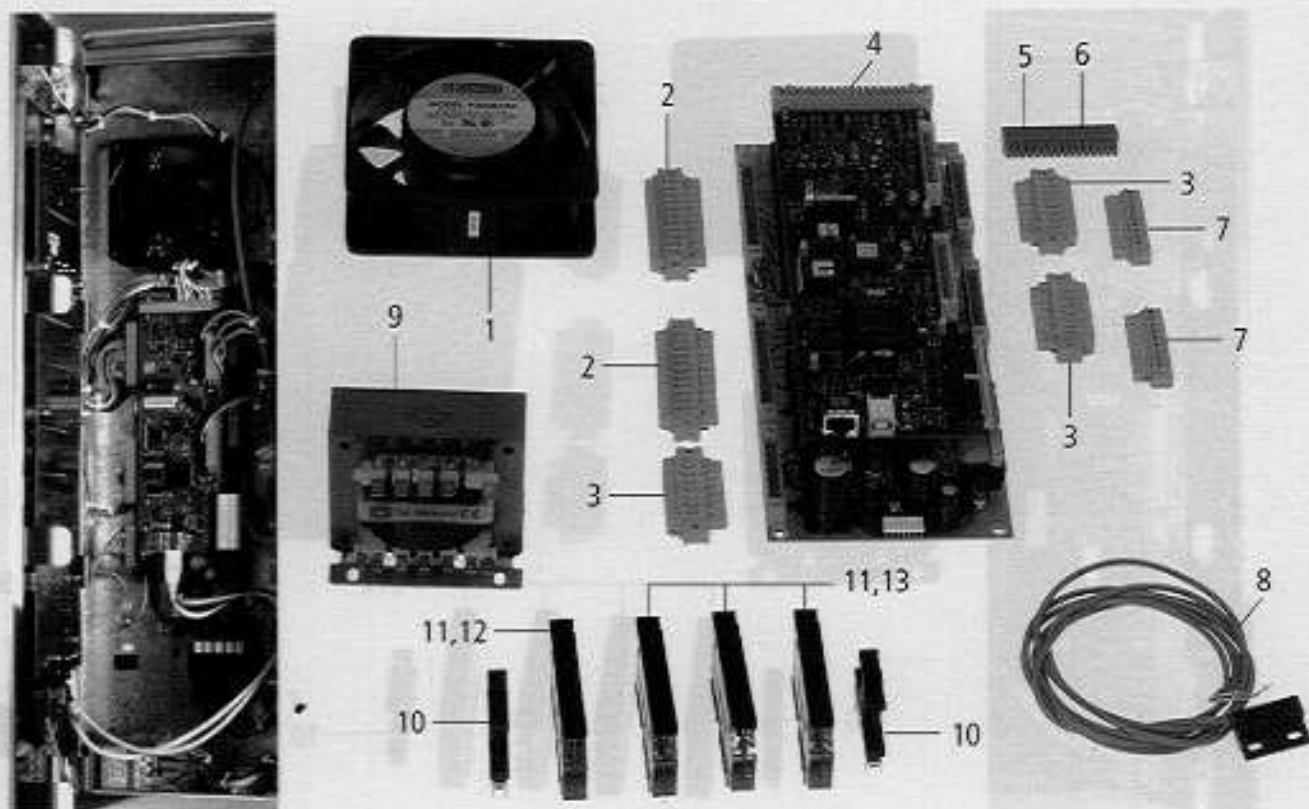
Pos.	St.	Ersatzteil Nr.	Bezeichnung	Description	Bez. Sign.
Pos.	Pcs.	Spare part no.			
1	1	3014.0326	Sicherheitstemperaturbegrenzer 360°	Safety temperature limiter 360°C	F3
2	1	3014.0402	Überstromauslöser einpolig f. Motorschutz	Current limiter for motor protection	F6,6.1
3	1	3014.0300	Trockengehschutz 135°C	Dry up protector 135°C	F2
4	3	4001.1203	Endklammer für Tragschiene	End plate for supporting rail	
5	6	4001.1216	Reihenklemme 4mm <sup>2</sup> grau	Terminal 4mm <sup>2</sup> grey	
6	1	4001.1222	Erdungsreihenklemme 4mm <sup>2</sup> gelb/grün	Earth terminal 4mm <sup>2</sup> yellow/green	
7	2	3028.0562	RC-Glied für LS4K - LS30K	RC-link for LS4K - LS30K	C2,C3
8	1	3028.0550	Schütz AEG LS 4K01	Contacteur AEG LS 4K01	K2,2.1
9	1	3102.1000	Wechselspannungskondensator 1,5 µF,250V	Capacitor 1,5 µF,250V AC	C1
10	1	3028.0552	Schütz AEG LS 7K10	Contacteur AEG LS 7K10	K1
11	1	3001.0455	Entstörfilter	Electronic noise filter	Z1
12	3	4001.1206	Reihenklemme 35mm <sup>2</sup> grau	Terminal 35mm <sup>2</sup> grey	
13	1	4001.1252	Reihenklemme 35mm <sup>2</sup> blau	Terminal 35mm <sup>2</sup> blue	
14	1	4001.1233	Erdungsreihenklemme 35mm <sup>2</sup> gelb/grün	Earth terminal 35mm <sup>2</sup> yellow/green	

**Elektromontageplatte / Electrical Installation**

Spannung / Voltage: **3 N AC 400V 50Hz**

Baugruppe / Group: **2** Ausgabe / Edition: **2.1.1**

Gültig ab Seriennummer / Applicable from serial. no.: **E21MA97061001**



Pos.	St.	Ersatzteil Nr.	Bezeichnung	Description	Bez. Sign.
Pos.	Pcs.	Spare part no.			
1	1	3101.1008	Kühllüfter	Cooling motor	M2
2	2	3040.0254	Steckerleiste 12pol, 5.08	Multipoint connector 12pol, 5.08	
3	3	3040.0253	Steckerleiste 8polig, 5.08Raster	Multipoint connector 8pol, 5.08	
4	1	3040.3000	Bedienplatine	Operator pcb	A2,A3
5	1	3040.0262	Steckerleiste links 10polig, 3.5	Multipoint connector left 10polig, 3.5	
6	1	3040.0261	Steckerleiste rechts 10polig 3.5	Multipoint connector right 10polig	
7	2	3040.0256	Steckerleiste 12pol, 3.5	Multipoint connector 12pol, 3.5	
8	1	3016.1415	Türkontaktschalter	Door contact switch	S3
9	1	3037.0240	Steuertrafo 200-260V	Control transformer 200-260V	T1
10	2	4001.1203	Endklammer für Tragschiene	End plate for supporting rail	
11	4	4001.1283	Sicherungsklemme 6x32 4 qmm	Fuse holder terminal block 4qmm,6x32mm	F1,F7
12	1	4001.0224	Sicherung 6.35x32mm, 6.3A träge	Fuse 6.35x32mm, 6.3A slow	F1
13	3	4001.0225	Sicherung 6.35x32mm, 10A	Fuse 6.35x32mm, 10A	F7

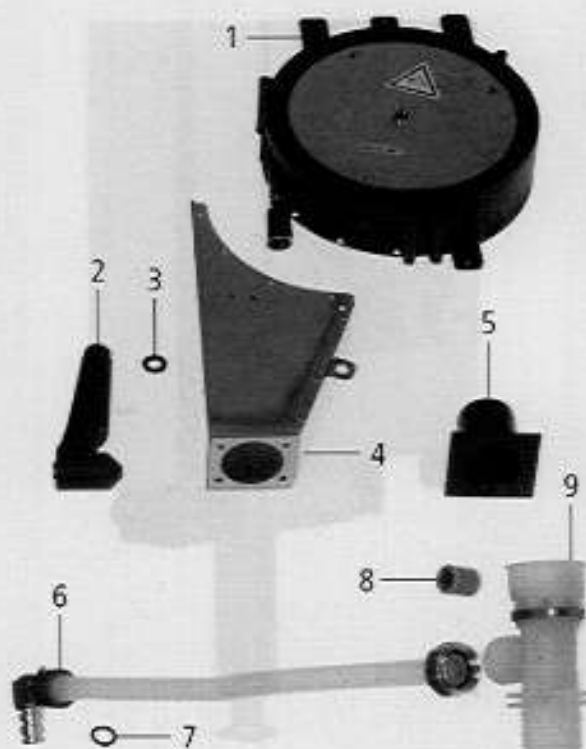
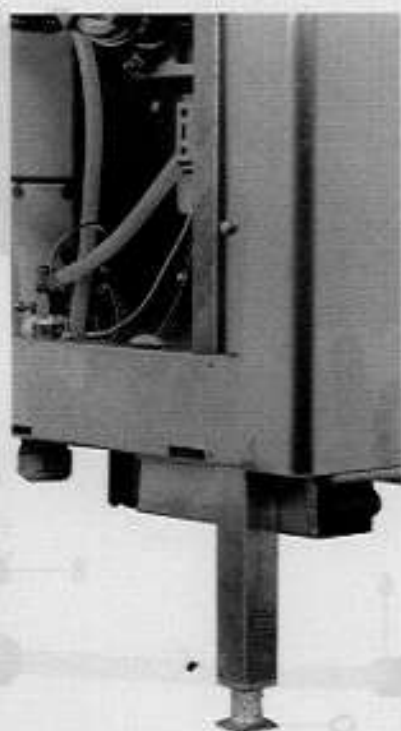


**Handbrause / Hand shower**

Spannung / Voltage: **3 N AC 400V 50Hz**

Baugruppe / Group: **11** Ausgabe / Edition: **11.1.1**

Gültig ab Seriennummer / Applicable from serial. no.: **E21MA97061001**



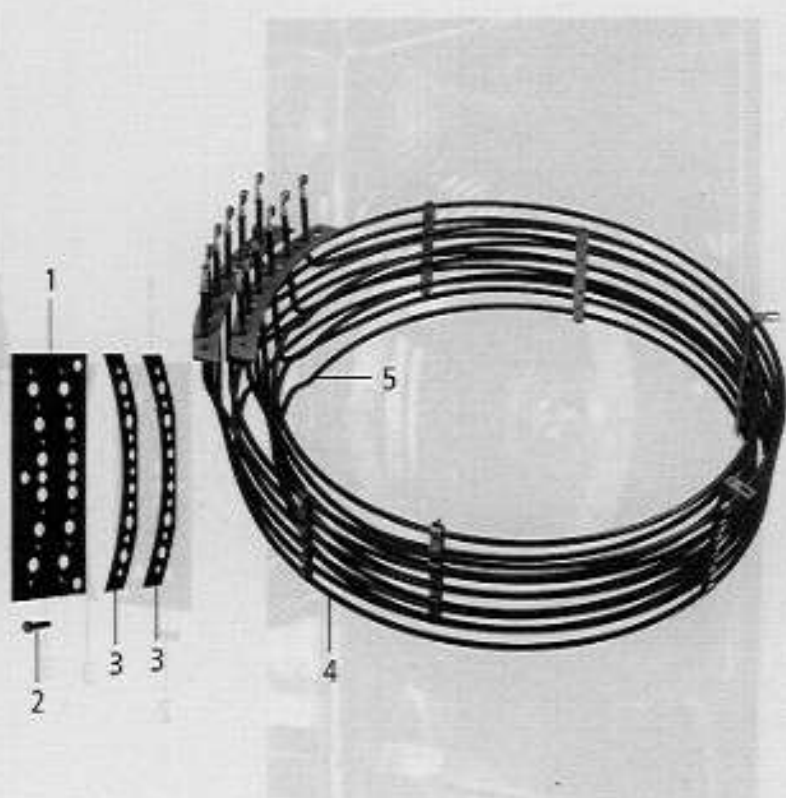
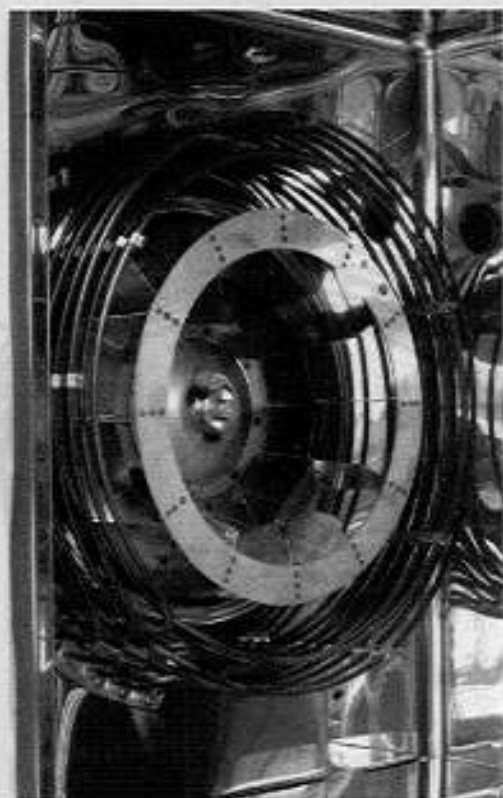
Pos.	St.	Ersatzteil Nr.	Bezeichnung	Description	Bez.
Pos.	Pcs.	Spare part no.			Sign.
1	1	8655.2021	Schlauchroller	Handshower roll guide	
2	1	2060.1000	Handbrause	Hand shower	
3	1	5012.0539	Dichtung für Verschraubung G 1/2"	Gasket for G1/2" threaded joint	
4	1	8655.2022	Schlauchführung für Handbrause	Hose guide for handshower	
5	1	2060.1211	Tulpe für Handbrause	Tulip for handshower	
-	4	1107.0103	Schnellbefestiger d3mm	Quick fastener d3mm	
6	2	2062.0329	Anschlußrohr Schlauchroller	Connecting pipe hand shower	
7	1	2060.0228	O-Ring für Brauseschlauch	O-ring for shower hose	
8	1	2069.0105	Rückschlagventil DN8	Non return valve DN8	
9	1	8464.1300	T-Stück Wasseranschluss Handbrause	T-water connection handshower	

**Heißluftheizung / Hot air heating**

Spannung / Voltage: **3 N AC 400V 50Hz**

Baugruppe / Group: **5** Ausgabe / Edition: **5.1.1**

Gültig ab Seriennummer / Applicable from serial. no.: **E21MA97061001**



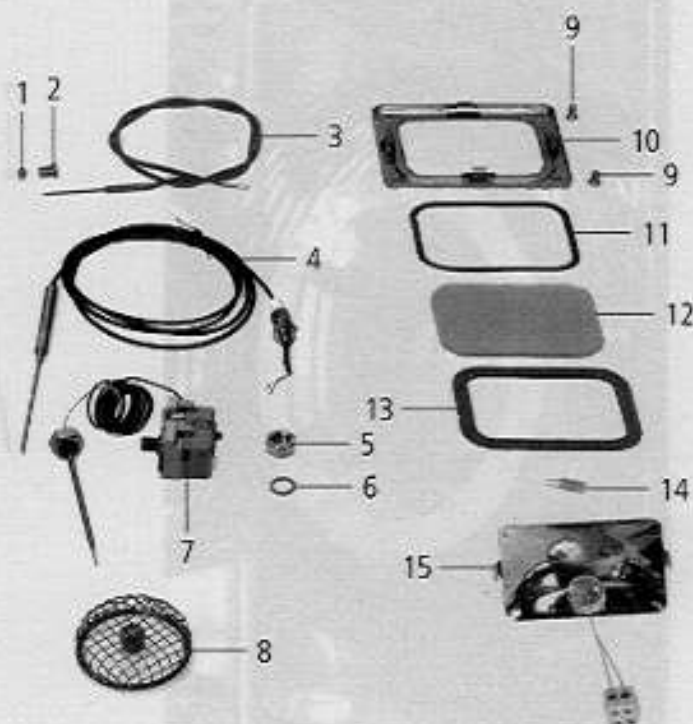
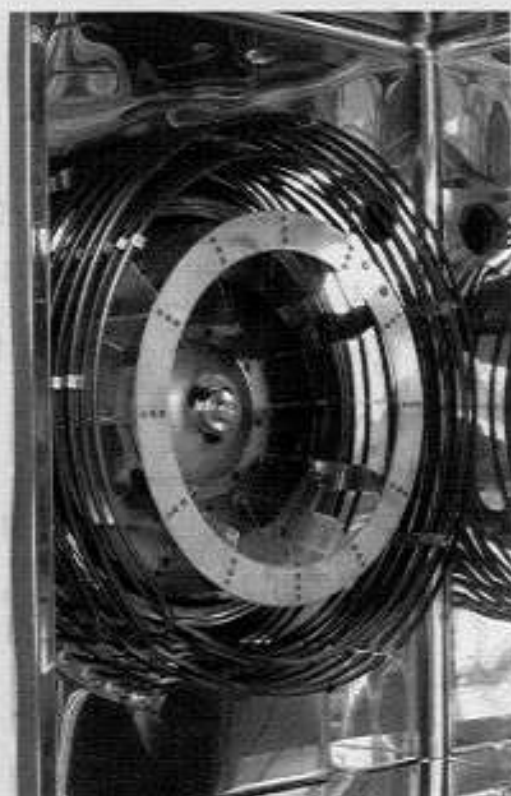
Pos.	St.	Ersatzteil Nr.	Bezeichnung	Description	Bez. Sign.
Pos.	Pcs.	Spare part no.			
1	24	1006.0766	Sechskantschraube M 6x25, HL Register	Hex screw M6x25, hot air heater	
-	28	1306.0222	Unterlegscheibe A6,4	Washer A6.4	
2	2	2150.1251	Doppelflansch Aussenseite	External double flange for hot air heater	
3	4	5110.1009	Dichtring f. Heizregister	Seal ring for heating assembly	
4	2	3200.1001	Heizregister außen 230V	Outer heating assembly 230V	
5	2	3200.1000	Heizregister innen 230V	Inner heating assembly 230V	
-	4	1106.0360	Hutmutter M6 hohe Form	Cap nut M6, high shape	

**Garraum / Interior cabinet**

Spannung / Voltage: **3 N AC 400V 50Hz**

Baugruppe / Group: **7** Ausgabe / Edition: **7.1.1**

Gültig ab Seriennummer / Applicable from serial. no.: **E21MA97061001**



Pos.	St.	Ersatzteil Nr.	Bezeichnung	Description	Bez. Sign.
Pos.	Pcs.	Spare part no.			
-	1	8516.1303	Luftleitblech	Air baffle	
1	1	3014.0162	Dichtkegel für Thermoelement	Sealing cone for thermo element	
2	1	3014.0163	Stopfbuchsnippel für Thermoelement	Gasket sleeve with nipple	
3	1	3014.1000	Thermoelement - lang -	Thermocouple -long-	B1
4	1	3035.0710	Einstechfühler	Meat probe sensor	B3
5	1	1112.0110	Sechskantmutter M 10	Hexagonal nut M10	
6	1	1315.0105	Kupferdichtring für Einstechfühler	Copper washer for meat probe sensor	
7	1	3014.0326	Sicherheitstemperaturbegrenzer 360°C	Safety temperature limiter 360°C	F3
8	1	2005.0302	Ablaufsieb	Outlet sieve	
9	4	1008.0753	Sechskantschraube M 5x8	Hexagonal screw M5x8	
10	1	8514.1017	Andrückrahmen f. Garraumbeleuchtung	Press down frame for interior lighting	
11	1	5110.1022	Dichtungsrahmen außen	External gasket frame	
12	1	5201.1000	Glas f. Garraumbeleuchtung	Glass for interior lamp	
13	1	5110.1023	Dichtungsrahmen innen	Internal gasket frame	
14	1	3024.0201	Halogengarraumlampe 10 W/12V/300°	Halogen bulb 10 W/12V/300°	H1,H2
15	1	8514.1018	Reflektor kpl. f. Garraumbeleuchtung	Reflector unit for interior lighting	



**Sonstiges / Miscellaneous**

 Baugruppe / Group: **12** Ausgabe / Edition: **12.1.1**

 Gültig ab Seriennummer / Applicable from serial. no.: **E21MA97061001**

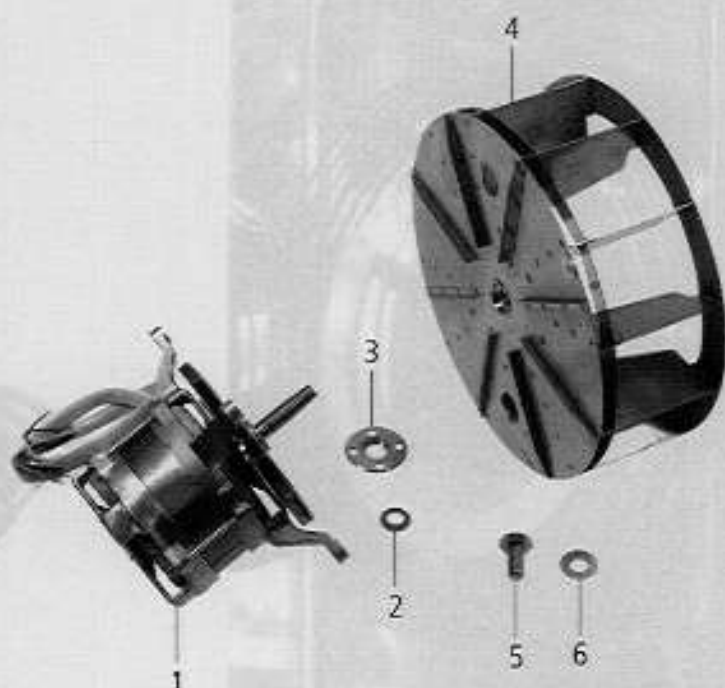
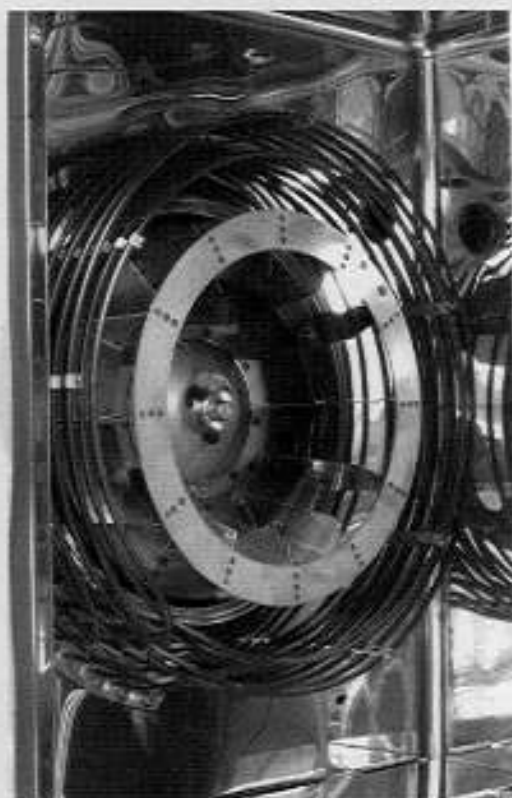
Pos.	Ersatzteilnr.:	Bezeichnung	Description
Pos.	Spare part no.		
1	1003.2260	Linsensenk-Blechschaube HC4,2x16	Raised countersunk head - self-tapping screw HC4,2x16
2	1004.2160	Sechskant Blechschaube B4,2x16	Hex head tapping screw B4, 2x16
3	1104.0821	Blechmutter B3,9	Climp B3,9
4	1107.0100	Schnellbefestiger d4,0 mm	Quick fastener d4.0 mm
5	1107.0101	Schnellbefestiger d5,0mm	Quick fastener d5,0mm
6	1107.0102	Schnellbefestiger d12mm	Quick fastener d12mm
7	1107.0103	Schnellbefestiger d3mm	Quick fastener d3mm
8	1311.2260	Schraubenrosette 5x12,5	Rosette 5x12,5
9	1603.0165	Blindniete 3,2x9,5	Blind rivet 3.2x9.5
10	1901.0042	Blechklammer für Außenmantel	Clamp for exterior cabinet
11	1901.0044	Blechklammer für Deckel bis 05/95	Clamp for cover up to 05/95
12	2001.0042	Loctite Schraubensicherung 10ml	Screw locking, heat resistant 10ml
13	2005.0603	Lenkrolle d/125 mit Feststeller	Castor d/125 with stopper
14	2005.0604	Lenkrolle d/125 ohne Feststeller	Castor d/125 without stopper
15	2039.0111	Metall-Einsteckfuß 40x40	Foot adjustable metal, 40 x 40
16	2039.0120	Fußoberenteil 85mm	Upper part of pedestal 85mm
17	2039.0121	Fußunterteil	Lower part of pedestal
18	3016.1409	Magnet rund Tischgeräte	Magnet round table models
19	4002.0100	Flachsteckhülse 2,5x6,3	Cable shoes 2,5x6,3
20	4004.0100	Aderendhülse 1,0mm <sup>2</sup>	Wire end sleeve 1,0mm <sup>2</sup>
21	4004.0101	Aderendhülse 1,5mm <sup>2</sup>	Wire end sleeve 1,5mm <sup>2</sup>
22	4004.0102	Aderendhülse 2,5mm <sup>2</sup>	Wire end sleeve 2,5mm <sup>2</sup>
23	4004.0103	Aderendhülse 4mm <sup>2</sup>	Wire end sleeve 4mm <sup>2</sup>
24	4004.0104	Aderendhülse 6mm <sup>2</sup>	Wire end sleeve 6mm <sup>2</sup>
25	4004.0105	Aderendhülse 10mm <sup>2</sup>	Wire end sleeve 10mm <sup>2</sup>
26	4004.0106	Aderendhülse 16mm <sup>2</sup>	Wire end sleeve 16mm <sup>2</sup>
27	4004.0114	Aderendhülse 0,75mm <sup>2</sup>	Wire end sleeve 0,75mm <sup>2</sup>
28	4005.0101	Kabelbinder 145mm lang	Cable strap 145mm long
29	4005.0102	Kabelbinder 100mm lang	Cable strap 100mm long
30	4007.0305	Kabelverschraubung PG 21	Screw-type conduit fitting PG 21
31	4007.0306	Reduzierstück PG 29/21	Reducing socket PG 29/21
32	4007.0405	Kabelverschraubung PG 16	Screw-type conduit fitting PG 16
33	4007.0406	Reduzierstück PG 29/16	Reducing socket PG 29/16
34	4007.0521	Sechskantmutter für PG 13,5	Hex screw for PG 13,5
35	4007.0526	Sechskantmutter für PG 21	Hex screw for PG 21
36	4007.0604	Kabelverschraubung PG 42 mit Zugentlast.	Cable connection PG 42, strain relief
37	4007.0605	Sechskantmutter PG42	Lock nut cable connection PG 42
38	4007.0606	Kabelverschraubung PG 36	Screw-type conduit fitting PG 36
39	4007.0607	Sechskantmutter für PG 36	Hex screw for PG 36
40	4007.0614	Stopfen PG 13,5	Plug PG 13,5
51	4007.0615	Stopfen PG 21	Plug PG 21
52	4007.0621	Durchführungsstülpe d 36mm	Lead-in grommet d 36 mm
53	5003.0300	Isolierung Dampfgenerator 1250x1250mm	Insulation steam generator: 1250x1250mm
54	5006.0200	Tube Silikon E41	Silicone (tube) E41
55	5006.0500	Kleber Isolierung Dampfgenerator 310ml	Adhesive isulation steam generator 310ml
56	6004.0100	Handdruck Sprühpistole	Spray-pistol
57	6004.0101	Verlängerung Handdruck Sprühpistole	Lengthening piece for spray-pistol
58	6004.0102	Dichtung Handdruck Sprühpistole	Gasket for spray-pistol
59	6004.0203	Entkalker-Fußpumpe	Descaler foot pump
60	6006.0101	RATIONAL Spezialreiniger	RATIONAL special cleaning agent
61	6006.0110	RATIONAL Entkalker	RATIONAL descaler
62	9003.0202	Unimoly plus, 180 °C	Unimoly plus, 180 °C
63	9006.0850	Metallwaschcreme	Stainless steel cleaning paste



**Motor und Lüfterrad / Motor and fan wheel**

 Spannung / Voltage: **3 N AC 400V 50Hz**

 Baugruppe / Group: **6** Ausgabe / Edition: **6.1.1**

 Gültig ab Seriennummer / Applicable from serial. no.: **E21MA97061001**


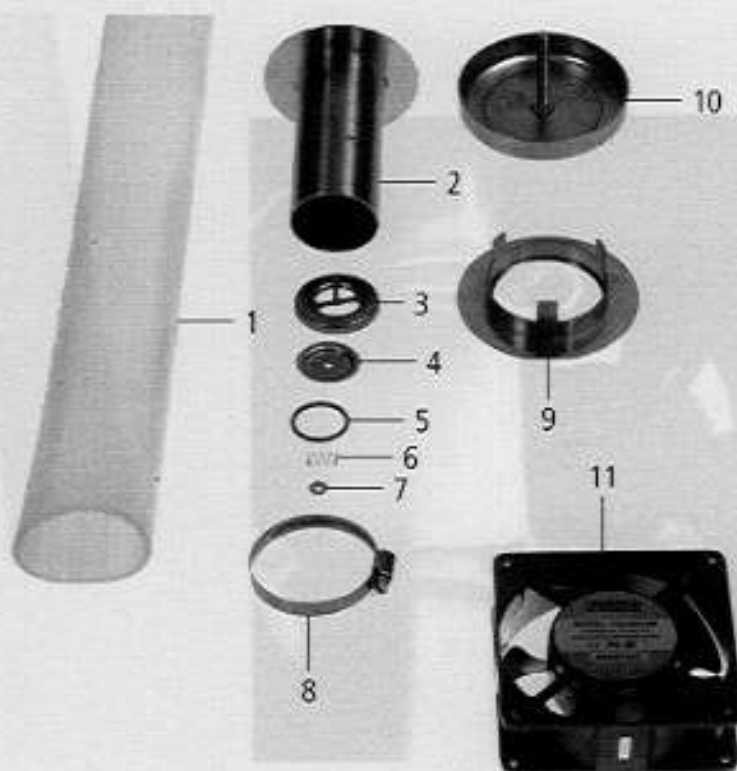
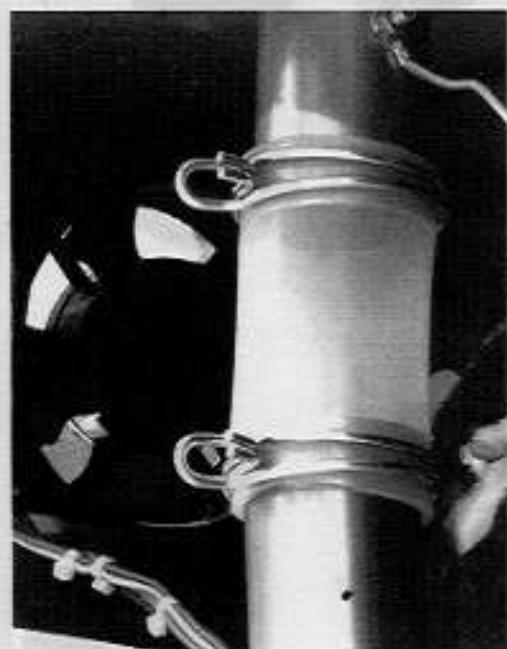
Pos.	St.	Ersatzteil Nr.	Bezeichnung	Description	Bez. Sign.
Pos.	Pcs.	Spare part no.			
1	2	3100.1021	Lüftermotor 4/4pol	Fan motor 4/4pol	M1
-	8	1108.0260	Sechskantmutter M 8	Hexagonal nut M8	
-	8	1208.0260	Federring B8	Spring washer B8	
2	2	5001.0207	Motorwellendichtung	Motor shaft gasket type	
3	2	2016.0876	Dichtungsflansch für Motorwelle	Gasket flange for engine shaft	
-	8	1106.0220	Sechskantmutter M6 flach	Hexagonal nut M6 flat	
-	8	1306.0120	Unterlegscheibe A6,4	Washer A6,4	
4	2	2012.0507	Lüfterrad	Fan wheel	
5	2	1010.0762	Sechskantschraube M 10x20	Hexagonal screw M10x20	
6	2	1328.0102	Sperrkantscheibe A10,2	Safety washer A10,2	

**Sicherheitsventil / Safety valve**

Spannung / Voltage: **3 N AC 400V 50Hz**

Baugruppe / Group: **9** Ausgabe / Edition: **9.1.1**

Gültig ab Seriennummer / Applicable from serial. no.: **E21MA97061001**



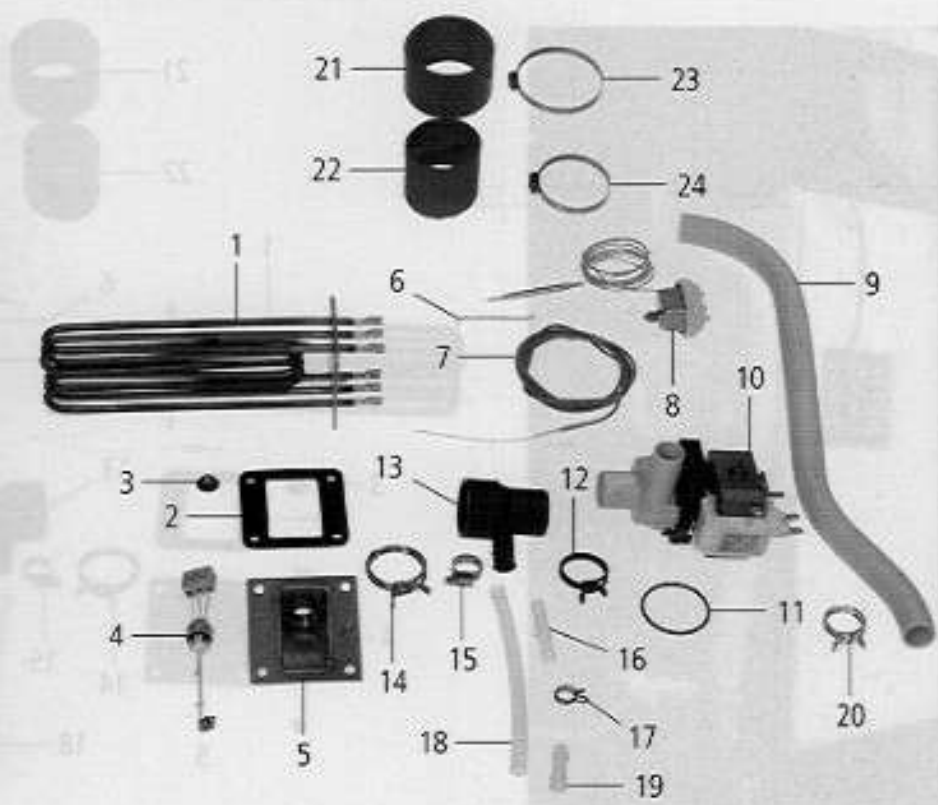
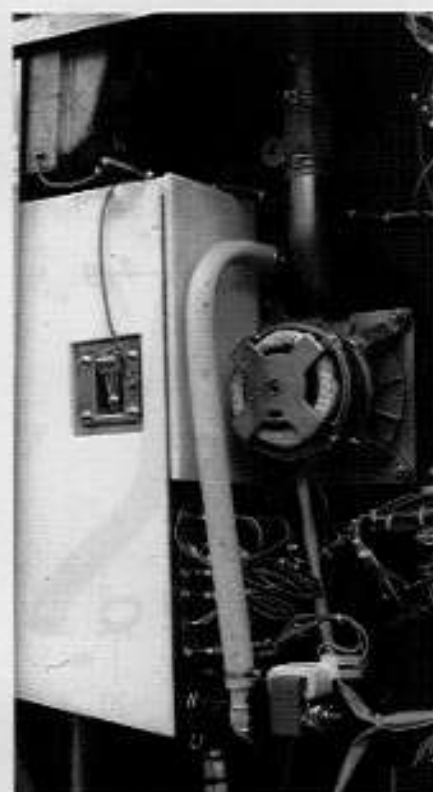
Pos.	St.	Ersatzteil Nr.	Bezeichnung	Description	Bez. Sign.
Pos.	Pcs.	Spare part no.			
1	1	2112.1301	Silikonschlauch d50x3x100	Silicone hose d50x3x100	
2	1	8450.1305	Rohr für Sicherheitsventil	Mounting pipe for safety valve	
3	1	2064.1302	Teller für Sicherheitsventil	Base for safety valve	
4	1	2064.1304	Deckel für Sicherheitsventil	Cover for safety valve	
5	1	5012.0546	O-Ring d 17,0x2,0mm	O-ring d 17,0x2,0mm	
6	1	2001.0117	Druckfeder für Sicherheitsventil	Compression spring for safety valve	
7	1	1107.0103	Schnellbefestiger d3mm	Quick fastener d3mm	
8	2	2066.0504	Schlauchschelle 40-60mm	Hose clamp 40-60mm	
9	1	2812.1304	Abstandshalter für Glocke	Spacer for vent cover	
10	1	8455.1209	Glocke	Vent cover	
11	1	3101.1008	Kühllüfter	Cooling motor	M2

**Dampfgenerator / Steam generator**

Spannung / Voltage: **3 N AC 400V 50Hz**

Baugruppe / Group: **4** Ausgabe / Edition: **4.1.1**

Gültig ab Seriennummer / Applicable from serial. no.: **E21MA97061001**



Pos.	St.	Ersatzteil Nr.	Bezeichnung	Bez.
Pos.	Pcs.	Spare part no.	Description	Sign.
-	-	2067.0050	Silikonschlauch 1m	
1	4	3201.1000	Tauchheizkörper 3x3 kw 230V	
2	5	5110.1003	Dichtung f. Tauchheizkörper	
3	20	1106.0803	Sechskant-Combimutter M6 verzinkt	
4	1	3002.0402	Füllstandselektrode 90mm	S2
5	1	2920.1300	Einsatz Niveauelektrode	
6	1	2740.1040	Klemmblech Dampfgenerator	
7	1	3014.0165	Thermoelement Dampfgenerator	B5
8	1	3014.0300	Trockengehschutz 135°C	F2
9	1	2112.1304	Entleerschlauch	
10	1	3002.1000	Entleerungspumpe 200-240V 50/60Hz	M4
11	1	5012.0560	O-Ring Dichtung Entleerungspumpe	
12	1	2066.0519	Schlauchklemme 35,6mm	
13	1	2118.1000	Pumpenanschlußstutzen	
14	1	2066.0526	Schlauchklemme 46mm	
15	1	2066.0530	Schlauchklemme 16,4mm	
16	1	2062.0331	Verbindungsstell GS 10	
17	1	2066.0527	Schlauchklemme 14mm	
18	1	2110.1008	Silikonschlauch DG-Entleerung	
19	1	2120.1259	Stopfen 10mm Entleerschlauch DG	
20	2	2066.0518	Schlauchklemme 30mm	
21	1	2112.1307	Dampfschlauch	
22	1	2112.1006	Dampfschlauch 50x7mm	
23	2	2066.0516	Schlauchselle 60-80mm	
24	2	2066.0300	Schlauchselle 50-70mm	

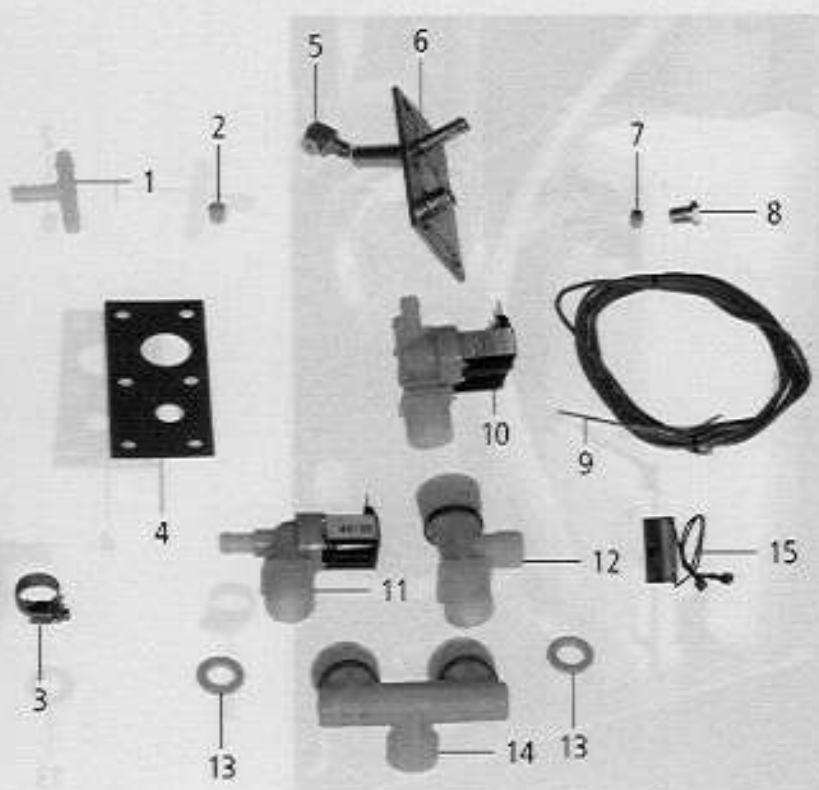
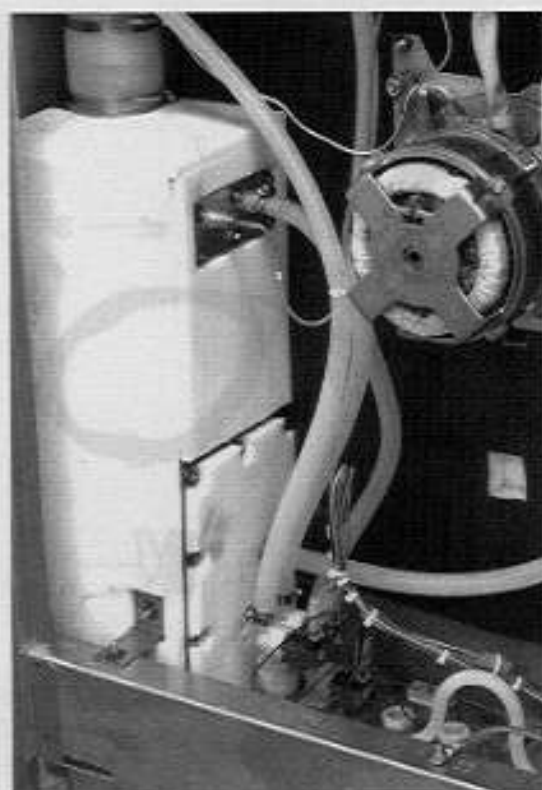


**Wasseranschluß / Water supply**

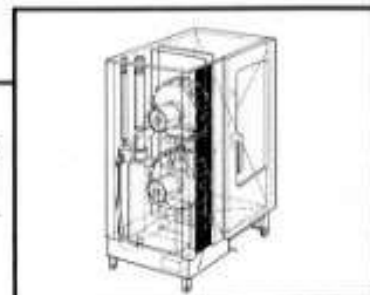
Spannung / Voltage: **3 N AC 400V 50Hz**

Baugruppe / Group: **10** Ausgabe / Edition: **10.1.1**

Gültig ab Seriennummer / Applicable from serial. no.: **E21MA97061001**

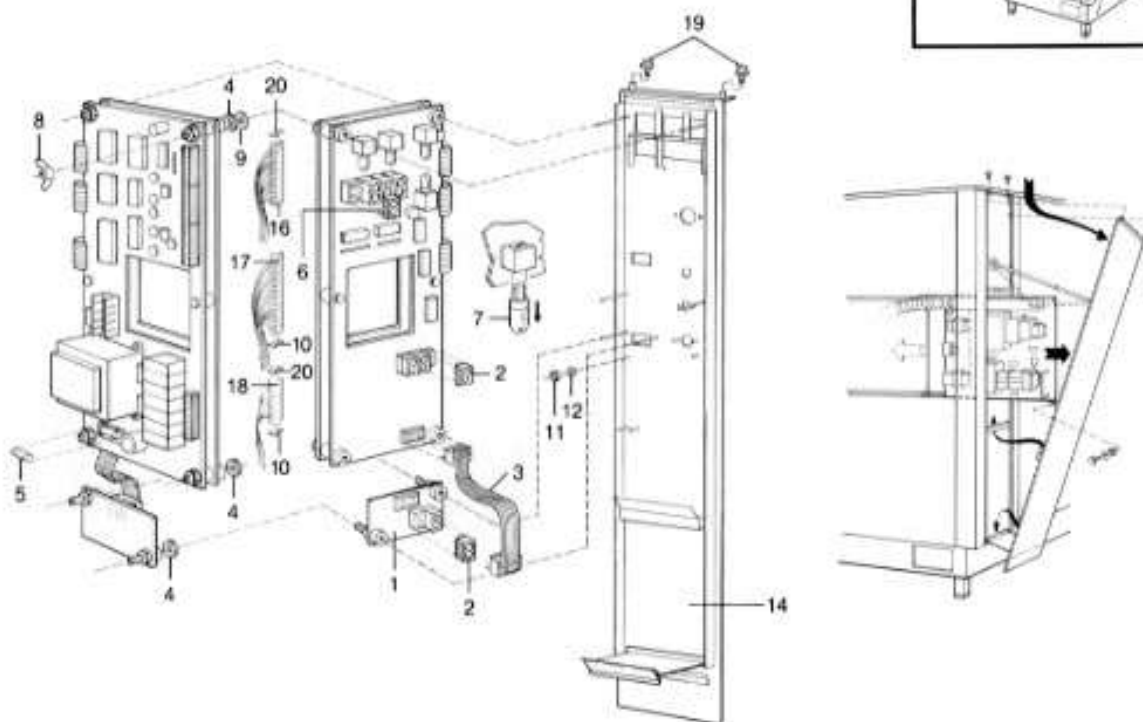


Pos.	St.	Ersatzteil Nr.	Bezeichnung	Description	Bez. Sign.
Pos.	Pcs.	Spare part no.			
-	-	2067.0050	Silikonschlauch 1m	Silicone hose 1m	
-	1	8666.1316	Flansch Ablöschkasten	Flange quenching chamber	
-	1	5110.1303	Dichtung Deckel Ablöschkasten	Gasket cover quenching box	
1	1	2062.0302	T-Stück TS10	T-piece TS 10	
2	1	2069.0107	Rückschlagventil DN6 Belüftung DG	Non return valve DN6 steam generator	
3	3	2066.0205	Schlauchschnelle 12-18mm	Hose clamp 12-18mm	
4	1	5110.1302	Dichtung Flansch Ablöschdüse	Gasket flange quenching	
5	1	2016.0943	Ablöschdüse	Quenching nozzle	
6	1	8666.1201	Flansch Ablöschdüse	Flange quenching nozzle	
7	1	3014.0162	Dichtkegel für Thermoelement	Sealing cone for thermo element	
8	1	3014.0163	Stopfbuchsnippel für Thermoelement	Gasket sleeve with nipple	
9	1	3014.1005	Thermoelement 2150mm lang	Thermocouple 2150mm long	B2
10	1	3002.0330	Doppelmagnetventil kpl. 220-240V 50Hz	Double solenoid valve unit 220-240V 50Hz	Y1,Y3
11	1	3002.0331	Einfachmagnetventil kpl. 220-240V 50Hz	Single solenoid valve unit 220-240V 50Hz	Y2
12	1	8464.1300	T-Stück Wasseranschluss Handbrause	T-water connection handshower	
13	2	5110.1024	Dichtung für Verschraubung G 3/4"	Gasket for G3/4" threaded joint	
14	1	8664.1301	Brückenfitting 3/4" Wasseranschluss	Water connection fitting 3/4"	
15	3	3035.0508	RC-Glied	RC-link	C6-C8

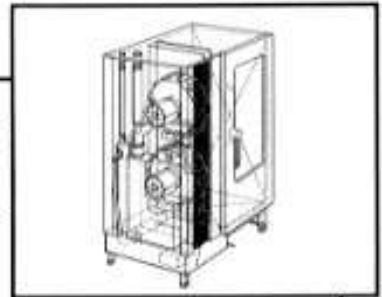


**Control Panel**

Component Group	Page	Edition	applicable from Serial No.
<b>1</b>	<b>1.2</b>	<b>1.2.1</b>	<b>21M 87 09 1001</b>

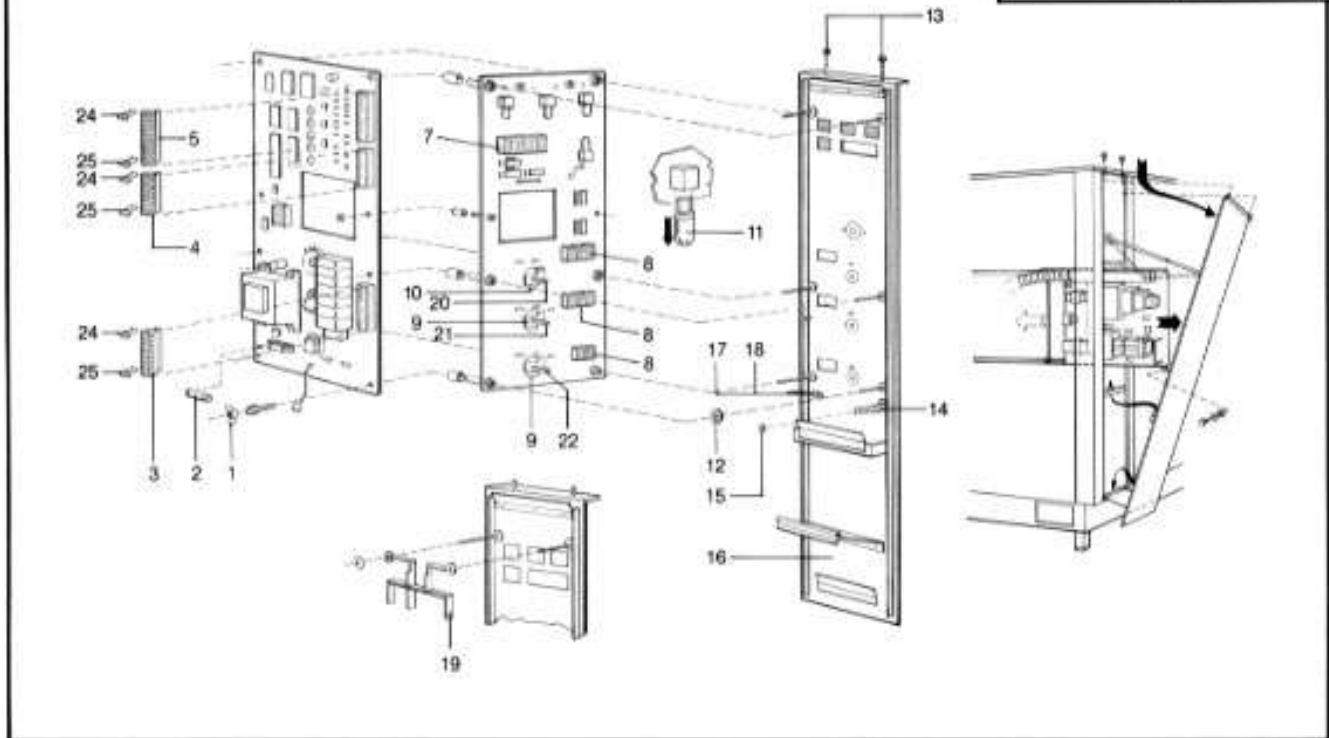


Pos.	Pcs.	Sp.	Part No.	Description	Sign
-	1		3040.0100	PCB - complete (pos 1 - 7)	
1	1		3040.0152	PCB - core temperature (pos 2,3,4)	
2	5		3040.0170	LED-display	
3	1		3040.0161	flat cable	
4	6		3040.0180	gasket	
5	1		3019.0111	fuse 0,25 A	F4
6	4		3040.0171	LED-display	
7	4		3024.0210	bulb	
8	6		1104.0500	wing nut M4	
9	2		2022.0100	gasket	
10	2		3040.0164	clip for multipoint connector right	
11	2		1106.0160	hex nut M6	
12	1		1206.0120	toothed lock washer A 6,4	
14	1		8600.0102	front panel	
16	1		3040.0162	multipoint connector BL 13	
17	1		3040.0163	multipoint connector BL 14	
18	1		3040.0160	multipoint connector BL 9	
19	2		1005.2000	safety screw	
20	2		3040.0191	clip for multipoint connector left	



**Control Panel**

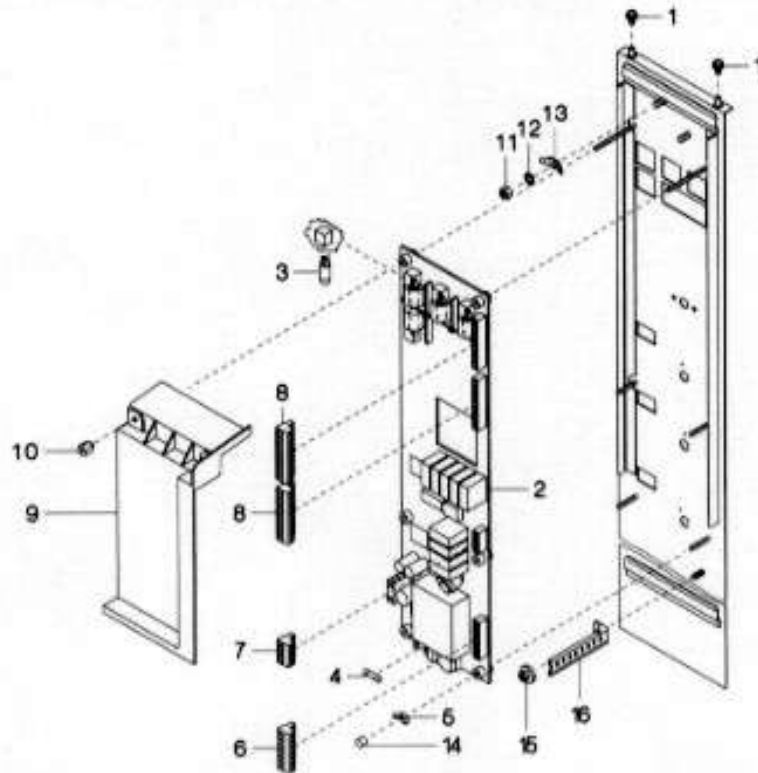
Component Group	Page	Edition	applicable from Serial No.
<b>1</b>	<b>1.2</b>	<b>1.2.2</b>	<b>21M 89 04 1105</b>



Pos.	Pcs.	Sp.	Part No.	Description	Sign
-	1		3040.0110	PCB – complete (pos.1 - 8)	
1	6		1104.0500	wing nut M4	
2	1		3019.0111	fuse 0,25 A	F4
3	1		3040.0160	multipoint connector BL9	
4	1		3040.0165	multipoint connector BL8	
5	1		3040.0166	multipoint connector BL11	
7	4		3040.0171	LED-display	
8	8		3040.0170	LED-display	
9	2		2510.520731	stop for poti core temp./timer	
10	1		2510.530746	stop for poti hot air	
11	4		3024.0210	bulb	
12	6		2022.0100	gasket	
13	2		1005.2000	safety screw	
14	1		2020.0401	cable clamp	
15	1		1105.0122	hex combi nut M5	
16	1		8600.01020489	front panel	
17	2		1106.0160	hex nut M6	
18	1		1206.0120	toothed lock washer A 6,4	
19	1		2024.0100	plastic lamp dome	
20	1		3040.0181	poti hot air	Koch
21	1		3040.0182	poti timer	Koch
22	1		3040.0183	poti core temp.	Koch
20	1		3040.0188	poti plug hot air	Koch
21	1		3040.0189	poti plug timer	Koch
22	1		3040.0190	poti plug core temp.	Koch
20	1		3040.0184	poti hot air	EGO
21	1		3040.0185	poti timer	EGO
22	1		3040.0186	poti core temp.	EGO
24	3		3040.0191	clip for multipoint connector left	
25	3		3040.0164	clip for multipoint connector right	

**Control Panel**

Voltage	Group	Page	Edition	Application from Serial. No.
<b>3 N AC 380V 50Hz</b>	<b>1</b>	<b>1.2</b>	<b>1.2.3</b>	<b>21M91042001</b>



Pos.	Pcs.	Sp.	Part No.	Description	Sign.
1	2		1002.2000	safety screw M5x8	
2	1		3040.2030	PCB complete	
3	4		3024.0210	bulb	
4	1		3019.0116	fuse 0,125A	F6
5	6		1104.0500	wing-nut M4	
6	1		3040.0160	multipoint connector BL9	
7	1		3040.0195	multipoint connector BL5	
8	2		3040.0199	multipoint connector BL12	
9	1		2039.0317	cover for pcb	
10	1		1116.0101	sleeve nut	
11	1		1106.0160	hex nut M6	
12	1		1206.0120	toothed lock washer A6,4	
13	1		4002.0110	cable shoe junction	
14	1		1409.0100	spacer	
15	1		1005.0122	hex-combi-nut M5	
16	1		2020.0401	cable assy holder	